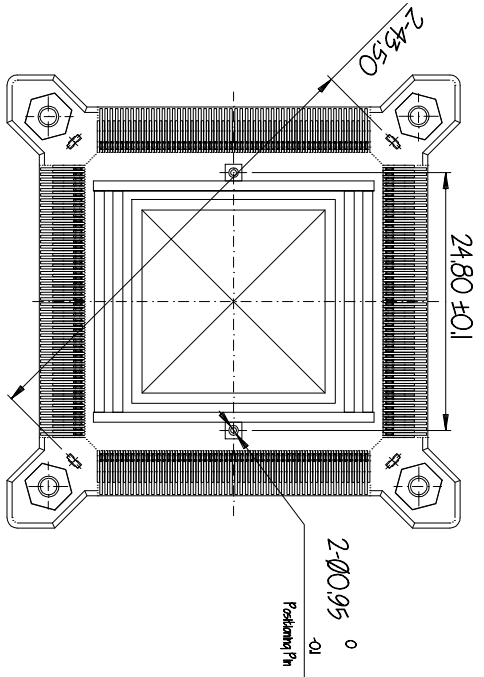
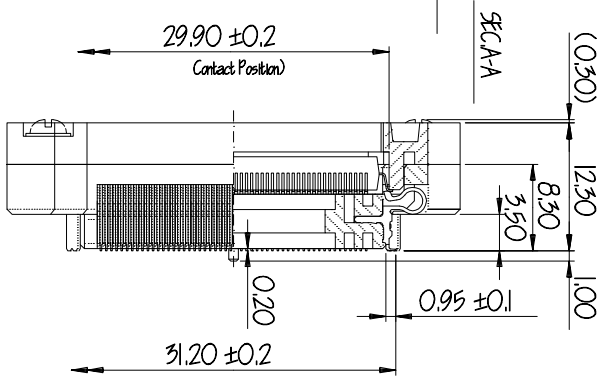
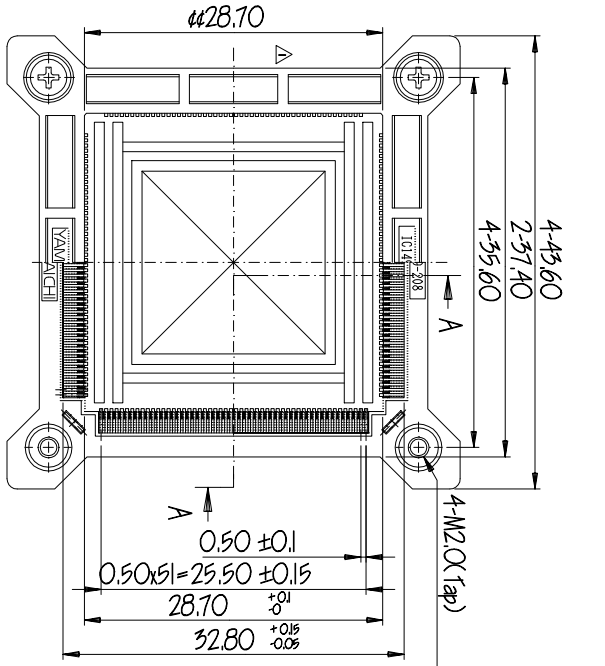


THE DRAWINGS AND INFORMATION CONTAINED HEREIN ARE THE EXCLUSIVE PROPERTY OF ACTEL. THE INFORMATION, DRAWINGS AND DESIGN CONCEPTS CONTAINED HEREIN ARE CONFIDENTIAL/PROPRIETARY. SHALL BE MAINTAINED IN STRICT CONFIDENCE, AND SHALL NOT BE RELEASED TO ANY THIRD PARTY WITHOUT THE EXPRESS WRITTEN PERMISSION OF ACTEL.



- Controlling dimensions are in millimeters.
- Yamachi Socket Part Number: IC149-208-161-55

ACTEL CONFIDENTIAL

ECN NO.	REV.	DESCRIPTION OF CHANGE	EFFECTIVE DATE	ORIGINATOR
980379	0	Initial	12/15/98	Kuang

UNLESS OTHERWISE SPECIFIED DIMENSIONS ARE IN MILLIMETERS		DECIMAL		ANGULAR	
X.X ± 0.10		X.XX ± 0.05		± 1°	
XXXX ± 0.03					
FINISH		SEE NOTES			
DO NOT SCALE DRAWING		SEE NOTES			
PROJECTION		DATE		TITLE	
APPROVALS		10/9/98		Yamachi P0208 Surface Mount Socket-w/alignment pin	
DRAWN R. Kuang				Yamachi	
CHECKED				ACTEL DWG. NUMBER 1-07-09027	
ENGR				VENDOR DWG. NUMBER N/A	
RELEASED				ACTEL Part# IC149-208-161-55	
				SCALE: NONE	
				SHEET 1 OF 2	

ACTEL CORP
965 E ARQUES AVE
SUNNYVALE CA 94086

