

54SX Family FPGAs RadTolerant and HiRel

Features

RadTolerant 54SX Family

- Tested Total Ionizing Dose (TID) Survivability Level
- Radiation Performance to 100Krads (Si) (I_{CC} Standby Parametric)
- Devices Available from Tested Pedigreed Lots
- Up to 160 MHz On-Chip Performance
- Offered as Class B and E-Flow (Actel Space Level Flow)
- QMI Certified Devices

HiRel 54SX Family

- Fastest HiRel FPGA Family Available
- Up to 240 MHz On-Chip Performance
- Low Cost Prototyping Vehicle for RadTolerant Devices
- Offered as Commercial or Military Temperature Tested and Class B
- Cost Effective QML MIL-Temp Plastic Packaging Options
- Standard Hermetic Packaging Offerings
- QML Certified Devices

High Density Devices

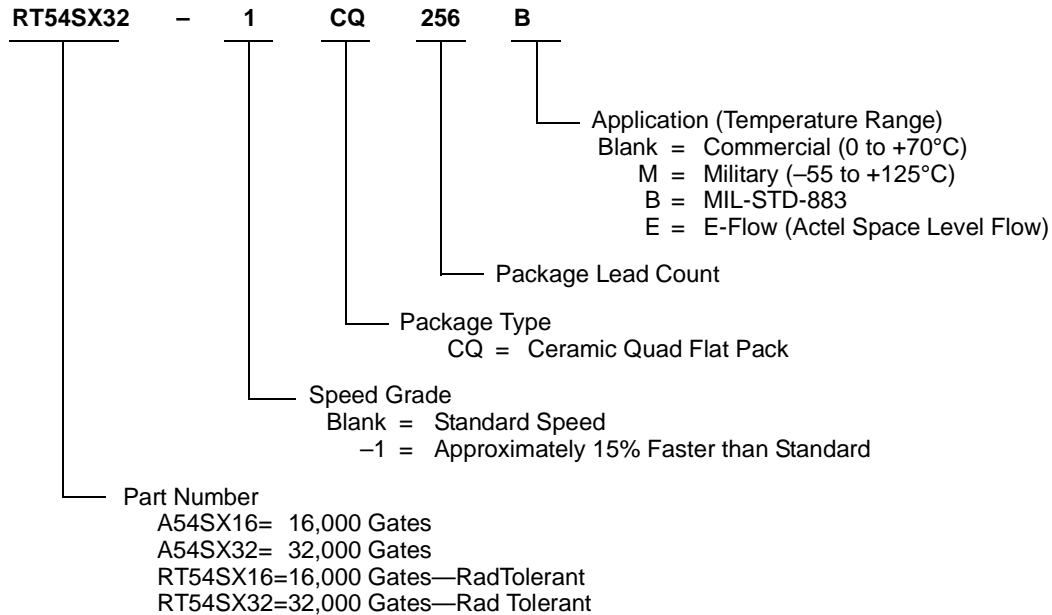
- 16,000 and 32,000 Available Logic Gates
- Up to 228 User I/Os
- Up to 1,080 Dedicated Flip-Flops

Easy Logic Integration

- Non-Volatile, User Programmable
- Highly Predictable Performance with 100% Automatic Place and Route
- 100% Resource Utilization with 100% Pin Locking
- Mixed Voltage Support—3.3V Operation with 5.0V Input Tolerance for Low Power Operation
- JTAG Boundary Scan Testing in Compliance with IEEE Standard 1149.1
- Secure Programming Technology Prevents Reverse Engineering and Design Theft
- Permanently Programmed for Operation on Power-Up
- Unique In-System Diagnostic and Debug Facility with Silicon Explorer
- Supported by Actel's Designer Series and DeskTOP Series Development Systems with Automatic Timing Driven Place and Route
- Predictable, Reliable, and Permanent Antifuse Technology Performance

SX Product Profile

Device	RT54SX16	A54SX16	RT54SX32	A54SX32
Capacity				
System Gates	24,000	24,000	48,000	48,000
Logic Gates	16,000	16,000	32,000	32,000
Logic Modules	1,452	1,452	2,880	2,880
Register Cells	528	528	1,080	1,080
Combinatorial Cells	924	924	1,800	1,800
User I/Os (Maximum)	179	180	227	228
JTAG	Yes	Yes	Yes	Yes
Packages (by pin count)				
CQFP	208, 256	208, 256	208, 256	208, 256

Ordering Information

Product Plan

	Speed Grade		Application			
	Std	-1*	C	M	B	E
RT54SX16 Devices						
208-Pin Ceramic Quad Flat Pack (CQFP)	✓	✓	✓	✓	✓	✓
256-Pin Ceramic Quad Flat Pack (CQFP)	✓	✓	✓	✓	✓	✓
A54SX16 Devices						
208-Pin Ceramic Quad Flat Pack (CQFP)	✓	✓	✓	✓	✓	—
256-Pin Ceramic Quad Flat Pack (CQFP)	✓	✓	✓	✓	✓	—
RT54SX32 Devices						
208-Pin Ceramic Quad Flat Pack (CQFP)	✓	✓	✓	✓	✓	✓
256-Pin Ceramic Quad Flat Pack (CQFP)	✓	✓	✓	✓	✓	✓
A54SX32 Devices						
208-Pin Ceramic Quad Flat Pack (CQFP)	✓	✓	✓	✓	✓	—
256-Pin Ceramic Quad Flat Pack (CQFP)	✓	✓	✓	✓	✓	—

Contact your Actel sales representative for product availability.

Applications: C = Commercial Availability: ✓ = Available * Speed Grade: -1 = Approx. 15% Faster than Standard
 M = Military P = Planned
 B = MIL-STD-883 — = Not Planned
 E = E-flow (Actel Space Level Flow)

Ceramic Device Resources

Device	User I/Os	
	CQFP 208-Pin	CQFP 256-Pin
RT54SX16	174	179
A54SX16	175	180
RT54SX32	173	227
A54SX32	174	228

Package Definitions: CQFP = Ceramic Quad Flat Pack

(Contact your Actel sales representative for product availability.)

General Description

Actel's RadTolerant (RT) and HiRel versions of the SX Family of FPGAs offer all of these advantages for applications such as commercial and military satellites, deep space probes, and all types of military and high reliability equipment.

The RT and HiRel versions are fully pin compatible allowing designs to migrate across different applications that may or may not have radiation requirements. Also, the HiRel devices can be used as a low cost prototyping tool for RT designs.

The programmable architecture of these devices offer high performance, design flexibility, and fast and inexpensive prototyping—all without the expense of test vectors, NRE charges, long lead times, and schedule and cost penalties for design modifications that are required by ASIC devices.

Device Description

The RT54SX16 and A54SX16 devices have 16,000 available gates and up to 179 I/Os. The RT54SX32 and A54SX32 have 32,000 available gates and up to 228 I/Os. All of these devices support JTAG boundary scan testability.

All of these devices are available in Ceramic Quad Flat Pack (CQFP) packaging, with 208-pin and 256-pin versions. The 256-pin version offers the user the highest I/O capability, while the 208-pin version offers pin compatibility with the commercial Plastic Quad Flat Pack (PQFP-208). This compatibility allows the user to prototype using the very low cost plastic package and then switch to the ceramic package for production. For more information on plastic packages, refer to the SX family FPGAs data sheet at:

<http://www.actel.com/docs/datasheets/A54SXDS.pdf>

The A54SX16 and A54SX32 are manufactured using a 0.35 μ technology at the Chartered Semiconductor facility in Singapore. These devices offer the highest speed performance available in FPGAs today.

The RT54SX16 and RT54SX32 are manufactured using a 0.6 μ technology at the Matsushita (MEC) facility in Japan. These devices offer levels of radiation survivability far in excess of typical CMOS devices.

Radiation Survivability

Total dose results are summarized in two ways. First by the maximum total dose level that is reached when the parts fail to meet a device specification but remain functional. For Actel FPGAs, the parameter that exceeds the specification first is I_{CC} , the standby supply current. Second by the maximum total dose that is reached prior to the functional failure of the device.

The RT SX devices have varying total dose radiation survivability. The ability of these devices to survive

radiation effects is both device and lot dependent. The customer must evaluate and determine the applicability of these devices to their specific design and environmental requirements.

Actel will provide total dose radiation testing along with the test data on each pedigreed lot that is available for sale. These reports are available on our website or you can contact your local sales representative to receive a copy. A listing of available lots and devices will also be provided. These results are only provided for reference and for customer information.

For a radiation performance summary, see *Radiation Performance of Actel Products* at <http://www.actel.com/hirel>. This summary will also show single event upset (SEU) and single event latch-up (SEL) testing that has been performed on Actel FPGAs.

QML Certification

Actel has achieved full QML certification, demonstrating that quality management, procedures, processes, and controls are in place and comply with MIL-PRF-38535, the performance specification used by the Department of Defense for monolithic integrated circuits. QML certification is a good example of Actel's commitment to supplying the highest quality products for all types of high-reliability, military and space applications.

Many suppliers of microelectronics components have implemented QML as their primary worldwide business system. Appropriate use of this system not only helps in the implementation of advanced technologies, but also allows for a quality, reliable and cost-effective logistics support throughout QML products' life cycles.

Disclaimer

All radiation performance information is provided for information purposes only and is not guaranteed. The total dose effects are lot-dependent, and Actel does not guarantee that future devices will continue to exhibit similar radiation characteristics. In addition, actual performance can vary widely due to a variety of factors, including but not limited to, characteristics of the orbit, radiation environment, proximity to satellite exterior, amount of inherent shielding from other sources within the satellite and actual bare die variations. For these reasons, Actel does not guarantee any level of radiation survivability, and it is solely the responsibility of the customer to determine whether the device will meet the requirements of the specific design.

SX Family Architecture

The SX family architecture was designed to satisfy next-generation performance and integration requirements for production-volume designs in a broad range of applications.

Programmable Interconnect Element

Actel's SX family provides much more efficient use of silicon by locating the routing interconnect resources between the Metal 2 (M2) and Metal 3 (M3) layers (Figure 1). This completely eliminates the channels of routing and interconnect resources between logic modules (as implemented on SRAM FPGAs and previous generations of antifuse FPGAs), and enables the entire floor of the device to be spanned with an uninterrupted grid of logic modules.

Interconnection between these logic modules is achieved using Actel's patented metal-to-metal programmable

antifuse interconnect elements, which are embedded between the M2 and M3 layers. The antifuses are normally open circuit and, when programmed, form a permanent low-impedance connection.

The extremely small size of these interconnect elements gives the SX family abundant routing resources and provides excellent protection against design pirating. Reverse engineering is virtually impossible, because it is extremely difficult to distinguish between programmed and unprogrammed antifuses, and there is no configuration bitstream to intercept.

Additionally, the interconnects (i.e., the antifuses and metal tracks) have lower capacitance and lower resistance than any other device of similar capacity, leading to the fastest signal propagation in the industry.

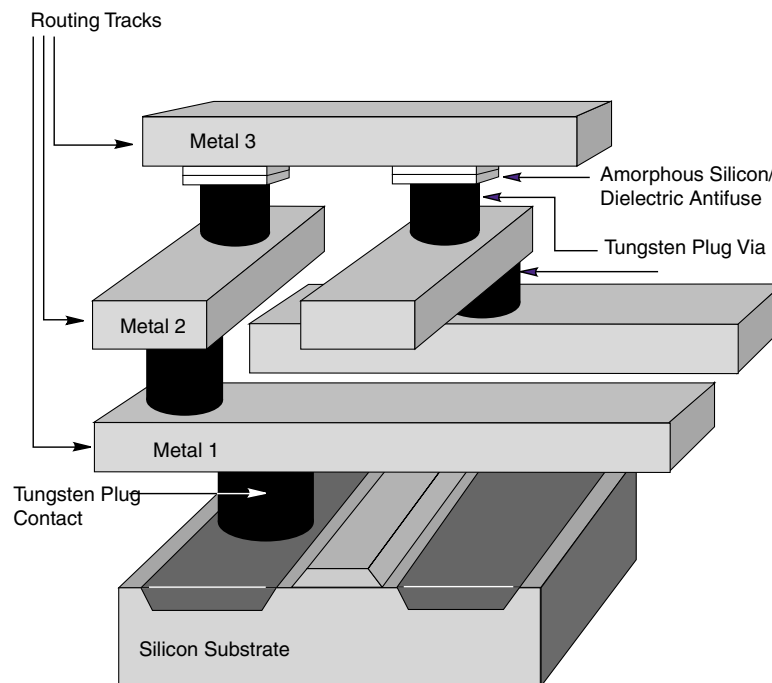


Figure 1 • SX Family Interconnect Elements

Logic Module Design

The SX family architecture has been called a “sea-of-modules” architecture because the entire floor of the device is covered with a grid of logic modules with virtually no chip area lost to interconnect elements or routing (see Figure 2 on page 5). Actel provides two types of logic modules, the register cell (R-cell) and the combinatorial cell (C-cell).

The R-cell contains a flip-flop featuring more control signals than in previous Actel architectures, including asynchronous clear, asynchronous preset, and clock enable (using the S0 and S1 lines). The R-cell registers feature

programmable clock polarity, selectable on a register-by-register basis (Figure 3 on page 5). This provides the designer with additional flexibility while allowing mapping of synthesized functions into the SX FPGA. The clock source for the R-cell can be chosen from the hard-wired clock or the routed clock.

The C-cell implements a range of combinatorial functions up to 5-inputs (Figure 4 on page 6). Inclusion of the DB input and its associated inverter function dramatically increases the number of combinatorial functions that can be implemented in a single module from 800 options in previous architectures to more than 4,000 in the SX

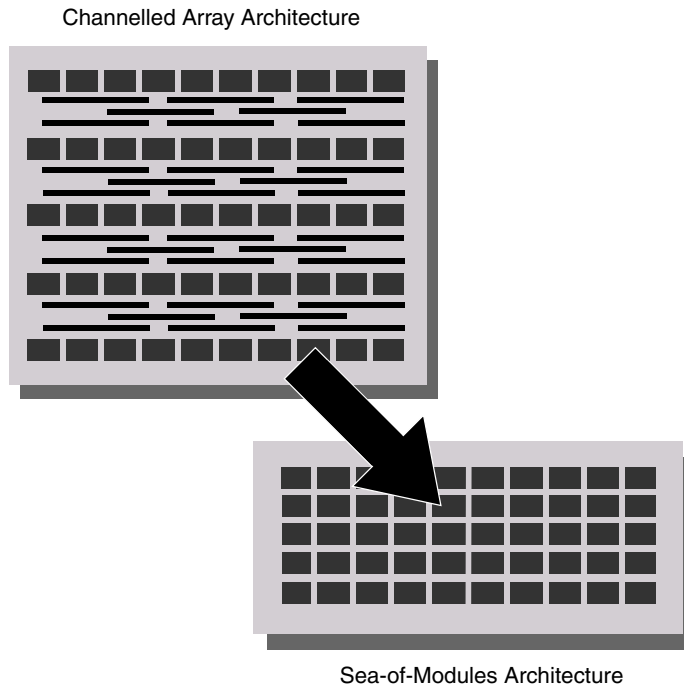


Figure 2 • Channelled Array and Sea-of-Modules Architectures

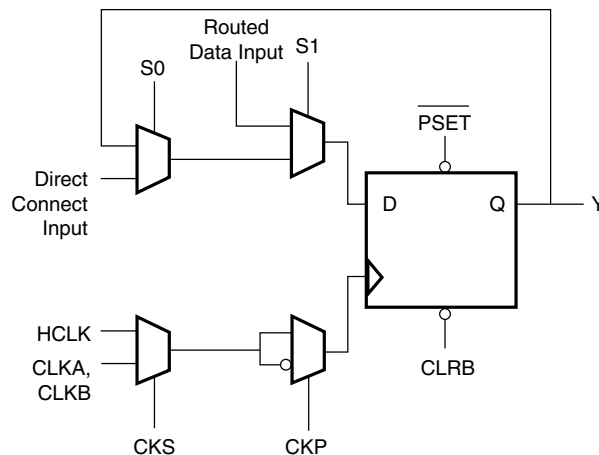


Figure 3 • R-Cell

architecture. An example of the improved flexibility enabled by the inversion capability is the ability to integrate a 3-input exclusive-OR function into a single C-cell. This facilitates construction of 9-bit parity-tree functions with 2 ns propagation delays. At the same time, the C-cell structure is extremely synthesis-friendly, simplifying the overall design and reducing synthesis time.

Chip Architecture

The SX family's chip architecture provides a unique approach to module organization and chip routing that delivers the best register/logic mix for a wide variety of new and emerging applications.

Module Organization

Actel has arranged all C-cell and R-cell logic modules into horizontal banks called *Clusters*. There are two types of Clusters: Type 1 contains two C-cells and one R-cell, while Type 2 contains one C-cell and two R-cells.

To increase design efficiency and device performance, Actel has further organized these modules into *SuperClusters* (see [Figure 5 on page 6](#)). SuperCluster 1 is a two-wide grouping of Type 1 clusters. SuperCluster 2 is a two-wide group containing one Type 1 cluster and one Type 2 cluster. SX devices feature more SuperCluster 1 modules than SuperCluster 2 modules because designers typically require more combinatorial logic than flip-flops.

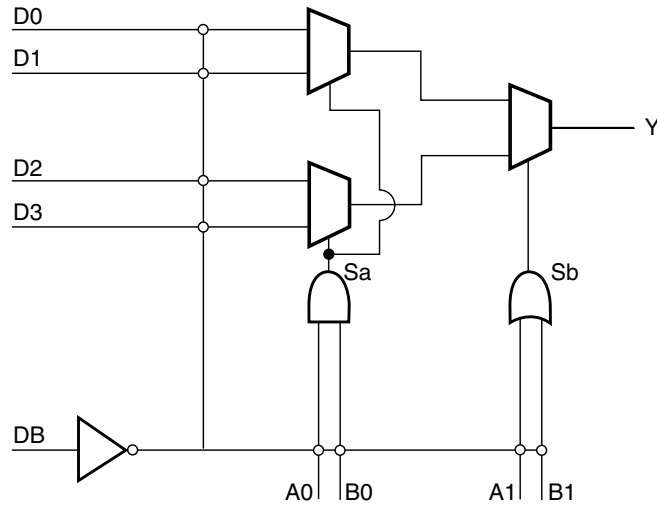


Figure 4 • C-Cell

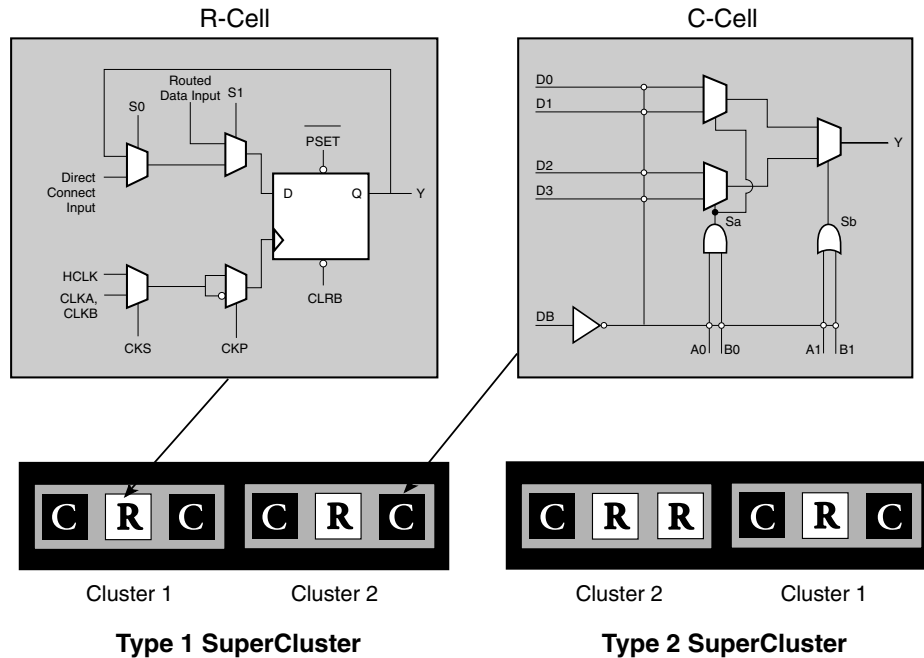


Figure 5 • Cluster Organization

Routing Resources

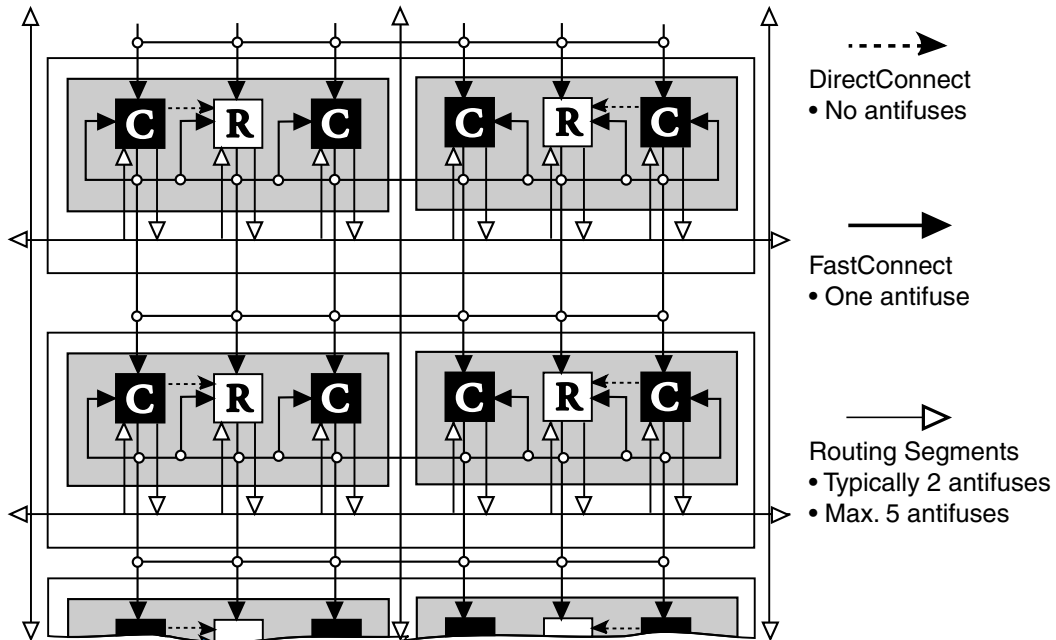
Clusters and SuperClusters can be connected through the use of two innovative local routing resources called *FastConnect* and *DirectConnect* that enable extremely fast and predictable interconnections of modules within Clusters and SuperClusters (see [Figure 6](#) and [Figure 7](#) on page 7). This routing architecture also dramatically reduces the number of antifuses required to complete a circuit, ensuring the highest possible performance.

DirectConnect is a horizontal routing resource that provides connections from a C-cell to its neighboring R-cell in a given SuperCluster. DirectConnect uses a hard-wired signal path requiring no programmable interconnection to achieve its fast signal propagation time of less than 0.1 ns.

FastConnect enables horizontal routing between any two logic modules within a given SuperCluster, and vertical routing with the SuperCluster immediately below it. Only one programmable connection is used in a FastConnect path, delivering maximum pin-to-pin propagation of 0.4 ns.

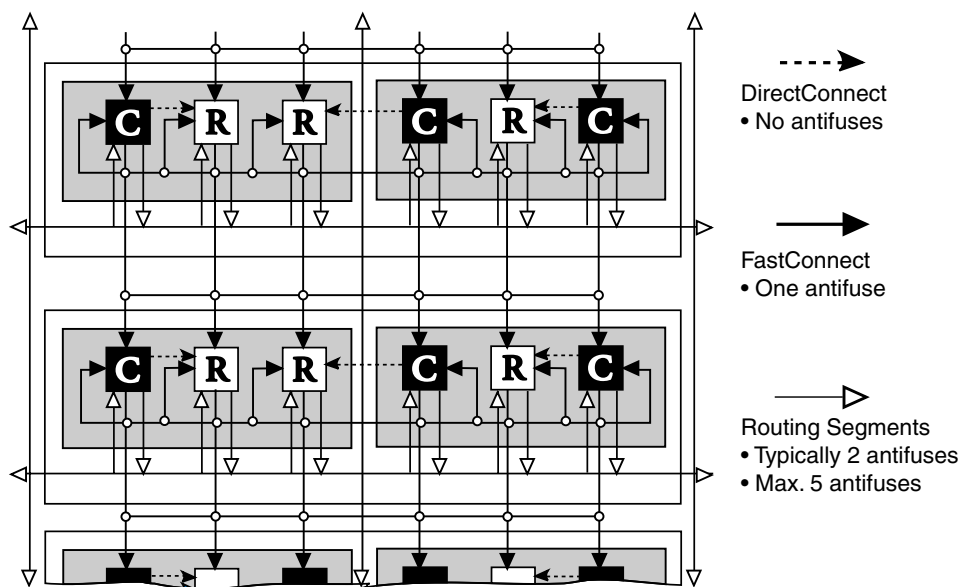
In addition to DirectConnect and FastConnect, the architecture makes use of two globally-oriented routing resources known as segmented routing and high-drive routing. Actel's segmented routing structure provides a variety of track lengths for extremely fast routing between

SuperClusters. The exact combination of track lengths and antifuses within each path is chosen by the 100% automatic place and route software to minimize signal propagation delays.



Type 1 SuperClusters

Figure 6 • DirectConnect and FastConnect for Type 1 SuperClusters



Type 2 SuperClusters

Figure 7 • DirectConnect and FastConnect for Type 2 SuperClusters

Clock Resources

Actel’s high-drive routing structure provides three clock networks. The first clock, called HCLK, is hardwired from the HCLK buffer to the clock select MUX in each R-cell. HCLK cannot be connected to combinational logic. This provides a fast propagation path for the clock signal, enabling the 5.8 ns clock-to-out (pad-to-pad) performance of the RT54SX devices. The hard-wired clock is tuned to provide clock skew is less than 0.5ns worst case.

The remaining two clocks (CLKA, CLKB) are global clocks that can be sourced from external pins or from internal logic signals within the RT54SX device. CLKA and CLKB may be connected to sequential cells or to combinational logic. If CLKA or CLKB is sourced from internal logic signals then the external clock pin cannot be used for any other input and must be tied low or high. Figure 8 describes the clock circuit used for the constant load HCLK. Figure 9 describes the CLKA and CLKB circuit used in RT54SX devices with the exception of RT54SX72S.

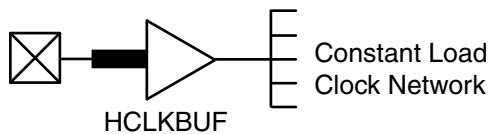


Figure 8 • RT54SX Constant Load Clock Pad

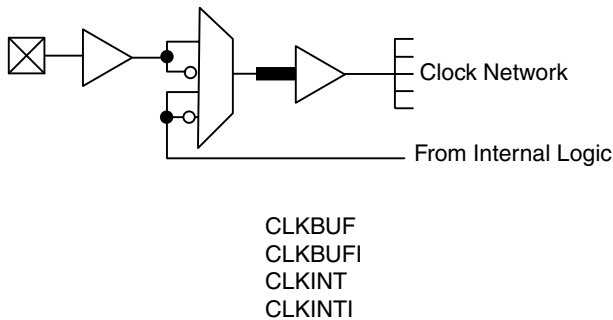


Figure 9 • RT54SX Clock Pads

Other Architecture Features

Performance

The combination of architectural features described above enables RT54SX devices to operate with internal clock frequencies exceeding 160 MHz, enabling very fast execution of complex logic functions. Thus, the RT54SX family is an optimal platform upon which to integrate the functionality previously contained in multiple CPLDs. In addition, designs that previously would have required a gate array to meet performance goals can now be integrated into an RT54SX device with dramatic improvements in cost and time-to-market. Using timing-driven place-and-route tools, designers can achieve highly deterministic device performance. With RT54SX devices, designers do not need to use complicated performance-enhancing design techniques such as redundant logic to reduce fanout on critical nets or the instantiation of macros in HDL code to achieve high performance.

I/O Modules

Each I/O on an RT54SX device can be configured as an input, an output, a tristate output, or a bidirectional pin. Even without the inclusion of dedicated registers, these I/Os, in combination with array registers, can achieve clock-to-out (PAD-to-PAD) timing as fast as 5.8 ns. I/O cells including embedded latches and flip-flops require instantiation in HDL code. This is a design complication not encountered in RT54SX FPGAs. Fast PAD-to-PAD timing ensures that the device will have little trouble interfacing with any other device in the system, which in turn enables parallel design of system components and reduces overall design time.

Power Requirements

The RT54SX family supports either 3.3V or 5.0V I/O voltage operation and is designed to tolerate 5V inputs in each case (Table 1). Power consumption is extremely low due to the very short distances signals are required to travel to complete a circuit. Power requirements are further reduced due to the small number of antifuses in the path, and because of the low resistance properties of the antifuses. The antifuse architecture does not require active circuitry to hold a charge (as do SRAM or EPROM), making it the lowest-power architecture on the market.

Table 1 • Supply Voltages

	V _{CCA}	V _{CCI}	V _{CCR}	Maximum Input Tolerance	Maximum Output Drive
A54SX16 A54SX32	3.3V	3.3V	5.0V	3.3V	3.3V
RTSX16 RTSX32	3.3V	3.3V	5.0V	5.0V	3.3V

Boundary Scan Testing (BST)

All RT54SX devices are IEEE 1149.1 (JTAG) compliant. They offer superior diagnostic and testing capabilities by providing Boundary Scan Testing (BST) and probing capabilities. These functions are controlled through the special test pins in conjunction with the program fuse. The functionality of each pin is described in Table 2. Figure 10 is a block diagram of the RT54SX JTAG circuitry.

Table 2 • Boundary Scan Pin Functionality

Program Fuse Blown (Dedicated Test Mode)	Program Fuse Not Blown (Flexible Mode)
TCK, TDI, TDO are dedicated test pins	TCK, TDI, TDO are flexible and may be used as I/Os
No need for pull-up resistor for TMS	Use a pull-up resistor of 10k Ω on TMS

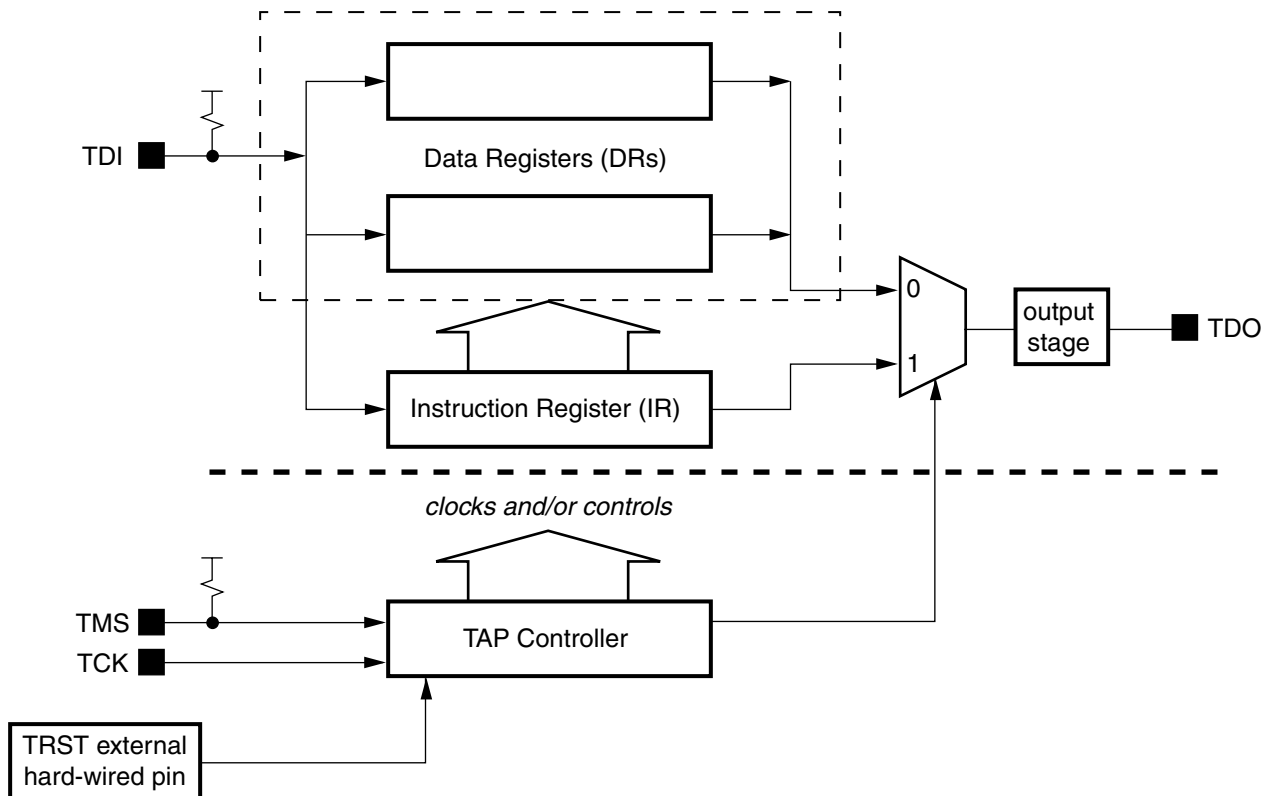


Figure 10 • RT54SX JTAG Circuitry

Configuring Diagnostic Pins

The JTAG and Probe pins (TDI, TCK, TMS, TDO, PRA, and PRB) are placed in the desired mode by selecting the appropriate check boxes in the “Variation” dialog window. This dialog window is accessible through the Design Setup Wizard under the Tools menu in Actel’s Designer software.

TRST pin

The TRST pin functions as a Boundary Scan Reset pin. The TRST pin is an asynchronous, active-low input to initialize or reset the BST circuit. An internal pull-up resistor is automatically enabled on the TRST pin.

Dedicated Test Mode

When the “Reserve JTAG” box is checked in the Designer software, the RT54SX is placed in Dedicated Test mode, which configures the TDI, TCK, and TDO pins for BST or in-circuit verification with Silicon Explorer II. An internal pull-up resistor

is automatically enabled on both the TMS and TDI pins. In dedicated test mode, TCK, TDI, and TDO are dedicated test pins and become unavailable for pin assignment in the Pin Editor. The TMS pin will function as specified in the IEEE 1149.1 (JTAG) Specification.

Flexible Mode

When the “Reserve JTAG” box is not selected (default setting in Designer software), the RT54SX is placed in flexible mode, which allows the TDI, TCK, and TDO pins to function as user I/Os or BST pins. In this mode the internal pull-up resistors on the TMS and TDI pins are disabled. An external 10k Ω pull-up resistor to VCCI is required on the TMS pin.

The TDI, TCK, and TDO pins are transformed from user I/Os into BST pins when a rising edge on TCK is detected while TMS is at logical low. Once the BST pins are in test mode they will remain in BST mode until the internal BST state

machine reaches the “logic reset” state. At this point the BST pins will be released and will function as regular I/O pins. The “logic reset” state is reached 5 TCK cycles after the TMS pin is set to logical HIGH.

The program fuse determines whether the device is in Dedicated Test or Flexible mode. The default (fuse not programmed) is Flexible mode.

Development Tool Support

The RT54SX RadTolerant devices are fully supported by Actel’s line of FPGA development tools, including the Actel DeskTOP Series and Designer Series’ tools. The Actel DeskTOP Series is an integrated design environment for PCs that includes design entry, simulation, synthesis, and place-and-route tools. Designer Series is Actel’s suite of FPGA development point tools for PCs and Workstations that includes the ACTgen Macro Builder, Designer Series with DirectTime timing driven place-and-route and analysis tools, and device programming software.

RT54SX Probe Circuit Control Pins

The RT54SX RadTolerant devices contain internal probing circuitry that provides built-in access to every node in a design, enabling 100-percent real-time observation and analysis of a device’s internal logic nodes without design

iteration. The probe circuitry is accessed by Silicon Explorer II, an easy to use integrated verification and logic analysis tool that can sample data at 100 MHz (asynchronous) or 66 MHz (synchronous). Silicon Explorer attaches to a PC’s standard COM port, turning the PC into a fully functional 18 channel logic analyzer. Silicon Explorer allows designers to complete the design verification process at their desks and reduces verification time from several hours per cycle to a few seconds.

The Silicon Explorer II tool uses the boundary scan ports (TDI, TRST, TCK, TMS, and TDO) to select the desired nets for verification. The selected internal nets are assigned to the PRA/PRB pins for observation. [Figure 11](#) illustrates the interconnection between Silicon Explorer II and the FPGA to perform in-circuit verification.

Design Considerations

For prototyping, the TDI, TCK, TDO, PRA, and PRB pins should not be used as input or bidirectional ports. Because these pins are active during probing, critical signals input through these pins are not available while probing. In addition, the security fuse should not be programmed during prototyping because doing so disables the probe circuitry.

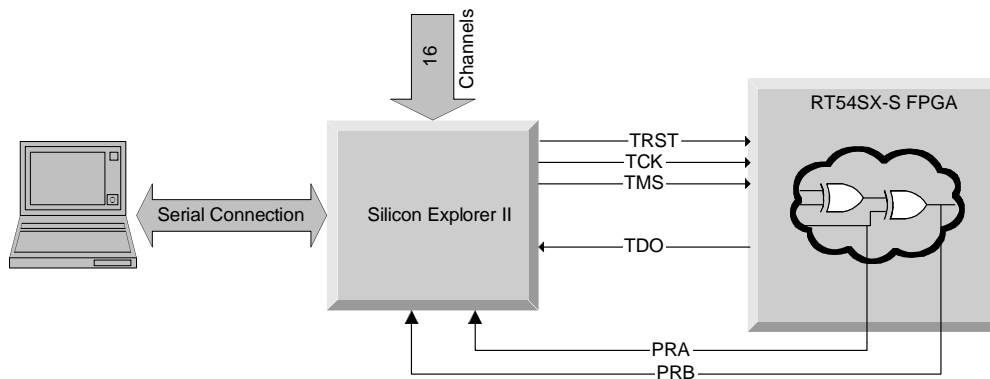


Figure 11 • Probe Setup

3.3V/5V Operating Conditions Recommended Operating Conditions¹

Parameter	Commercial	Military	Units
Temperature Range ¹	0 to +70	-55 to +125	°C
3.3V Power ² Supply Tolerance	±10	±10	%V _{CC}
5V Power Supply ² Tolerance	±5	±10	%V _{CC}

Notes:

1. Ambient temperature (T_A) is used for commercial and industrial; case temperature (T_C) is used for military.
2. All power supplies must be in the recommended operating range for 250 μ s. For more information, please refer to the Power-Up Design Considerations application note at <http://www.actel.com/apnotes>.

Recommended Operating Conditions

Symbol	Parameter	Limits	Units
V _{CCR}	DC Supply Voltage	-0.3 to +6.0	V
V _{CCA}	DC Supply Voltage	-0.3 to +4.0	V
V _{CCI}	DC Supply Voltage	-0.3 to +4.0	V
V _I	Input Voltage	-0.5 to +5.5	V
V _O	Output Voltage	-0.5 to +3.6	V
I _{IO}	I/O Source Sink Current ²	-30 to +5.0	mA
T _{STG}	Storage Temperature	-40 to +125	°C

Notes:

1. Stresses beyond those listed in the Absolute Maximum Ratings table may cause permanent damage to the device. Exposure to absolute maximum rated conditions for extended periods may affect device reliability. Device should not be operated outside the Recommended Operating Conditions.
2. The I/O source sink numbers refer to tristated inputs and outputs

Electrical Specifications

Symbol	Parameter	Commercial		Military		Units
		Min.	Max.	Min.	Max.	
V _{OH}	(I _{OH} = -20 μ A) (CMOS)	(V _{CCI} - 0.1)	V _{CCI}	(V _{CCI} - 0.1)	V _{CCI}	V
	(I _{OH} = -8mA) (TTL)	2.4	V _{CCI}			
	(I _{OH} = -6mA) (TTL)			2.4	V _{CCI}	
V _{OL}	(I _{OL} = 20 μ A) (CMOS)		0.10			V
	(I _{OL} = 12mA) (TTL)		0.50			
	(I _{OL} = 8mA) (TTL)				0.50	
V _{IL}	Low Level Inputs		0.8		0.8	V
V _{IH}	High Level Inputs	2.0		2.0		V
t _R , t _F	Input Transition Time t _R , t _F		50		50	ns
C _{IO}	C _{IO} I/O Capacitance		10		10	pF
I _{CC}	Standby Current, I _{CC}		4.0		25	mA
I _{CC(D)}	I _{CC(D)} I _{Dynamic} V _{CC} Supply Current	See the "Power Dissipation" section on page 13.				

Power-Up Sequencing

RT54SX16, A54SX16, RT54SX32, A54SX32

V _{CCA}	V _{CCR}	V _{CCI}	Power-Up Sequence	Comments
3.3V	5.0V	3.3V	5.0V First 3.3V Second	No possible damage to device.
			3.3V First 5.0V Second	Possible damage to device.

Power-Down Sequencing

RT54SX16, A54SX16, RT54SX32, A54SX32

V _{CCA}	V _{CCR}	V _{CCI}	Power-Down Sequence	Comments
3.3V	5.0V	3.3V	5.0V First 3.3V Second	Possible damage to device.
			3.3V First 5.0V Second	No possible damage to device.

Package Thermal Characteristics

The device junction to case thermal characteristic is θ_{jc} , and the junction to ambient air characteristic is θ_{ja} . The thermal characteristics for θ_{ja} are shown with two different air flow rates.

Maximum junction temperature is 150°C.

A sample calculation of the absolute maximum power dissipation allowed for an RT54SX16 in a CQFP 256-pin package at military temperature and still air is as follows:

$$\text{Absolute Maximum Power Allowed} = \frac{\text{Max. junction temp. (}^\circ\text{C)} - \text{Max. ambient temp. (}^\circ\text{C)}}{\theta_{ja} \text{ (}^\circ\text{C/W)}} = \frac{150^\circ\text{C} - 125^\circ\text{C}}{23^\circ\text{C/W}} = 1.09\text{W}$$

Package Type	Pin Count	θ_{jc}	θ_{ja}	Units
			Still Air	
RT54SX16				
Ceramic Quad Flat Pack (CQFP)	208	7.5	29	°C/W
Ceramic Quad Flat Pack (CQFP)	256	4.6	23	°C/W
RT54SX32				
Ceramic Quad Flat Pack (CQFP)	208	6.9	35	°C/W
Ceramic Quad Flat Pack (CQFP)	256	3.5	20	°C/W
A54SX16				
Ceramic Quad Flat Pack (CQFP)	208	7.9	30	°C/W
Ceramic Quad Flat Pack (CQFP)	256	5.6	25	°C/W
A54SX32				
Ceramic Quad Flat Pack (CQFP)	208	7.6	30	°C/W
Ceramic Quad Flat Pack (CQFP)	256	4.8	24	°C/W

Power Dissipation

$$P = [I_{CC\text{standby}} + I_{CC\text{active}}] * V_{CCA} + I_{OL} * V_{OL} * N + I_{OH} * (V_{CCA} - V_{OH}) * M$$

where:

$I_{CC\text{standby}}$ is the current flowing when no inputs or outputs are changing.

$I_{CC\text{active}}$ is the current flowing due to CMOS switching.

I_{OL} , I_{OH} are TTL sink/source currents.

V_{OL} , V_{OH} are TTL level output voltages.

N equals the number of outputs driving TTL loads to V_{OL} .

M equals the number of outputs driving TTL loads to V_{OH} .

Accurate values for N and M are difficult to determine because they depend on the design and on the system I/O. The power can be divided into two components: static and active.

Static Power Component

The power due to standby current is typically a small component of the overall power. Standby power is shown below for military, worst case conditions (70°C).

I_{CC}	V_{CC}	Power
20 mA	3.6V	72 mW

Active Power Component

Power dissipation in CMOS devices is usually dominated by the active (dynamic) power dissipation. This component is frequency-dependent, a function of the logic and the external I/O. Active power dissipation results from charging internal chip capacitances of the interconnect, unprogrammed antifuses, module inputs, and module outputs, plus external capacitance due to PC board traces

and load device inputs. An additional component of the active power dissipation is the totempole current in CMOS transistor pairs. The net effect can be associated with an equivalent capacitance that can be combined with frequency and voltage to represent active power dissipation.

Equivalent Capacitance

The power dissipated by a CMOS circuit can be expressed by Equation 1:

$$\text{Power } (\mu\text{W}) = C_{EQ} * V_{CCA}^2 * F \tag{1}$$

where:

C_{EQ} = Equivalent capacitance in pF

V_{CCA} = Power supply in volts (V)

F = Switching frequency in MHz

Equivalent capacitance is calculated by measuring $I_{CC\text{active}}$ at a specified frequency and voltage for each circuit component of interest. Measurements have been made over a range of frequencies at a fixed value of V_{CCA} . Equivalent capacitance is frequency-independent so that the results may be used over a wide range of operating conditions. Equivalent capacitance values are shown below.

C_{EQ} Values (pF)

To calculate the active power dissipated from the complete design, the switching frequency of each part of the logic must be known. Equation 2 shows a piece-wise linear summation over all components.

$$\begin{aligned} \text{Power} = & V_{CCA}^2 * [(m * C_{EQM} * f_m)_{\text{modules}} + \\ & (n * C_{EQI} * f_n)_{\text{inputs}} + (p * (C_{EQO} + C_L) * f_p)_{\text{outputs}} + \\ & 0.5 * (q_1 * C_{EQCR} * f_{q1})_{\text{routed_clk1}} + (r_1 * f_{q1})_{\text{routed_clk1}} + \\ & 0.5 * (q_2 * C_{EQCR} * f_{q2})_{\text{routed_clk2}} + (r_2 * f_{q2})_{\text{routed_clk2}} + \\ & 0.5 * (s_1 * C_{EQCD} * f_{s1})_{\text{dedicated_clk}}] \end{aligned} \tag{2}$$

		RT54SX16	A54SX16	RT54SX32	A54SX32
Equivalent Capacitance (pF)					
Modules	C_{EQM}	7.0	3.9	7.0	3.9
Input Buffers	C_{EQI}	2.0	1.0	2.0	1.0
Output Buffers	C_{EQO}	10.0	5.0	10.0	5.0
Routed Array Clock Buffer Loads	C_{EQCR}	0.4	0.2	0.6	0.3
Dedicated Clock Buffer Loads	C_{EQCD}	0.25	0.15	0.34	0.23
Fixed Capacitance (pF)					
routed_Clk1	r_1	120	60	210	107
routed_Clk2	r_2	120	60	210	107
Fixed Clock Loads					
Clock Loads on Dedicated Array Clock	s_1	528	528	1,080	1,080

where:

m	=	Number of logic modules switching at f_m
n	=	Number of input buffers switching at f_n
p	=	Number of output buffers switching at f_p
q_1	=	Number of clock loads on the first routed array clock
q_2	=	Number of clock loads on the second routed array clock
r_1	=	Fixed capacitance due to first routed array clock
r_2	=	Fixed capacitance due to second routed array clock
s_1	=	Fixed number of clock loads on the dedicated array clock = (528 for A54SX16)
C_{EQM}	=	Equivalent capacitance of logic modules in pF
C_{EQI}	=	Equivalent capacitance of input buffers in pF
C_{EQO}	=	Equivalent capacitance of output buffers in pF
C_{EQCR}	=	Equivalent capacitance of routed array clock in pF
C_{EQCD}	=	Equivalent capacitance of dedicated array clock in pF
C_L	=	Output lead capacitance in pF
f_m	=	Average logic module switching rate in MHz
f_n	=	Average input buffer switching rate in MHz
f_p	=	Average output buffer switching rate in MHz
f_{q1}	=	Average first routed array clock rate in MHz
f_{q2}	=	Average second routed array clock rate in MHz

Determining Average Switching Frequency

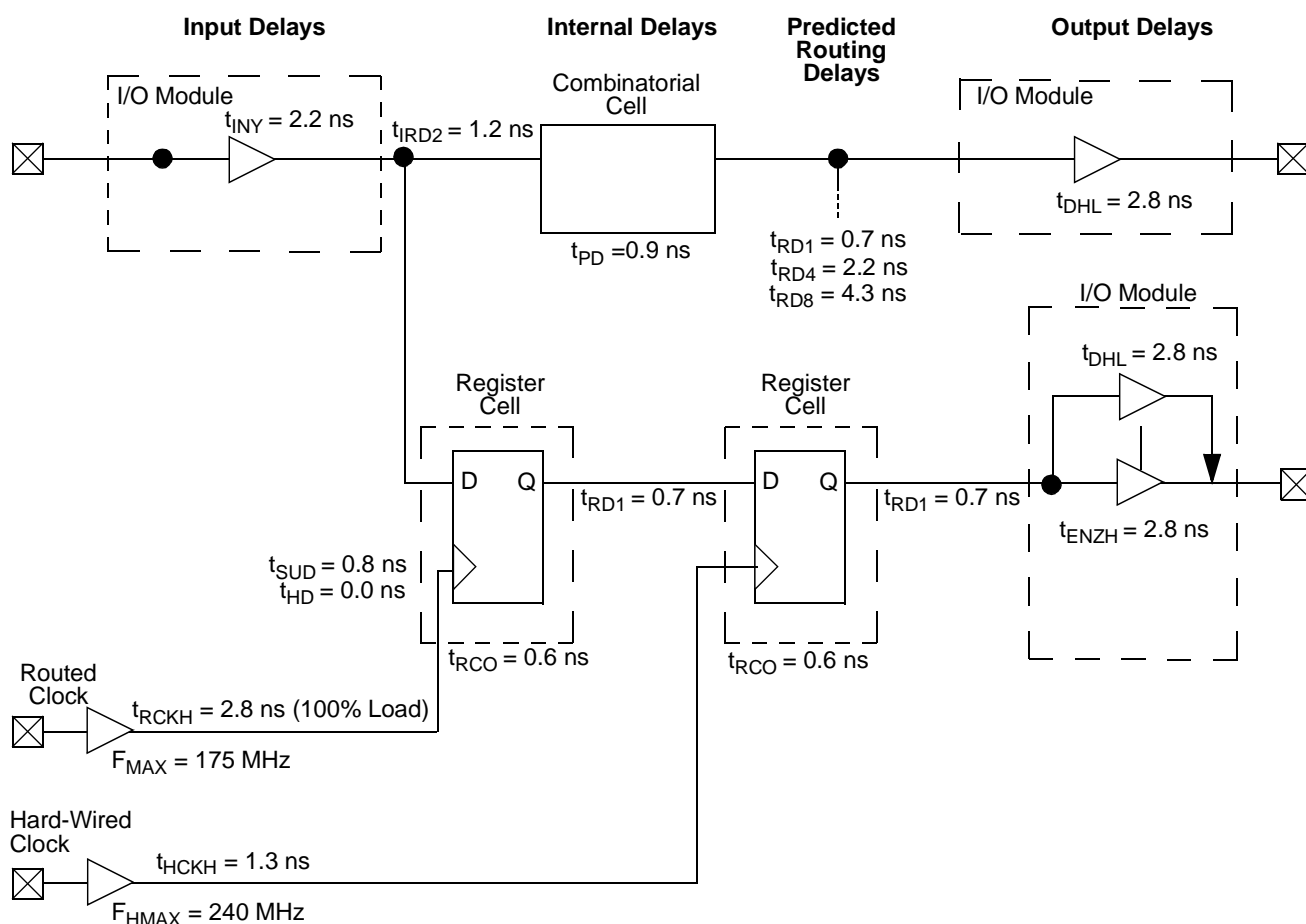
To determine the switching frequency for a design, you must have a detailed understanding of the data input values to the circuit. The following guidelines are meant to represent worst-case scenarios so that they can be generally used to predict the upper limits of power dissipation. These guidelines are as follows:

Logic Modules (m)	=	80% of modules
Inputs Switching (n)	=	# inputs/4
Outputs Switching (p)	=	# output/4
First Routed Array Clock Loads (q_1)	=	40% of sequential modules
Second Routed Array Clock Loads (q_2)	=	40% of sequential modules
Load Capacitance (C_L)	=	35 pF
Average Logic Module Switching Rate (f_m)	=	F/10
Average Input Switching Rate (f_n)	=	F/5
Average Output Switching Rate (f_p)	=	F/10
Average First Routed Array Clock Rate (f_{q1})	=	F/2
Average Second Routed Array Clock Rate (f_{q2})	=	F/2
Average Dedicated Array Clock Rate (f_{s1})	=	F

Temperature and Voltage Derating Factors
 (Normalized to Worst-Case Commercial, $T_J = 70^\circ\text{C}$, $V_{CCA} = 3.0\text{V}$)

V_{CCA}	Junction Temperature (T_J)					
	-40	0	25	70	85	125
3.0	0.78	0.87	0.89	1.00	1.04	1.16
3.3	0.73	0.82	0.83	0.93	0.97	1.08
3.6	0.69	0.77	0.78	0.87	0.92	1.02

54SX Timing Model*



*Values shown for A54SX16-1 at worst-case commercial conditions.

Hard-Wired Clock

$$\begin{aligned} \text{External Set-Up} &= t_{INY} + t_{IRD1} + t_{SUD} - t_{HCKH} \\ &= 2.2 + 0.7 + 0.8 - 1.7 = 2.0 \text{ ns} \end{aligned}$$

Clock-to-Out (Pin-to-Pin)

$$\begin{aligned} &= t_{HCKH} + t_{RCO} + t_{RD1} + t_{DHL} \\ &= 1.7 + 0.6 + 0.7 + 2.8 = 5.8 \text{ ns} \end{aligned}$$

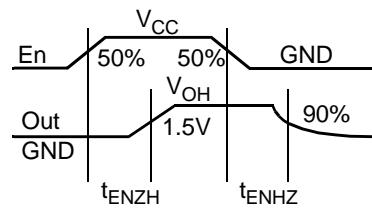
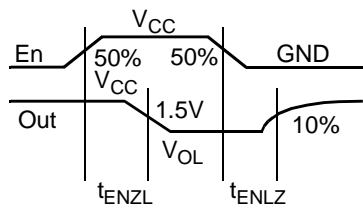
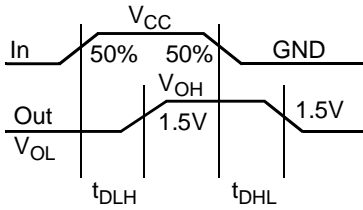
Routed Clock

$$\begin{aligned} \text{External Set-Up} &= t_{INY} + t_{IRD1} + t_{SUD} - t_{RCKH} \\ &= 2.2 + 0.7 + 0.8 - 2.4 = 1.3 \text{ ns} \end{aligned}$$

Clock-to-Out (Pin-to-Pin)

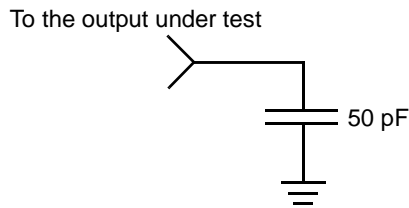
$$\begin{aligned} &= t_{RCKH} + t_{RCO} + t_{RD1} + t_{DHL} \\ &= 2.4 + 0.6 + 0.7 + 2.8 = 6.5 \text{ ns} \end{aligned}$$

Output Buffer Delays

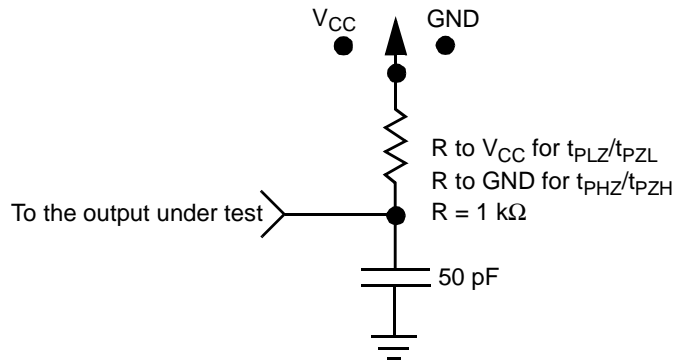


AC Test Loads

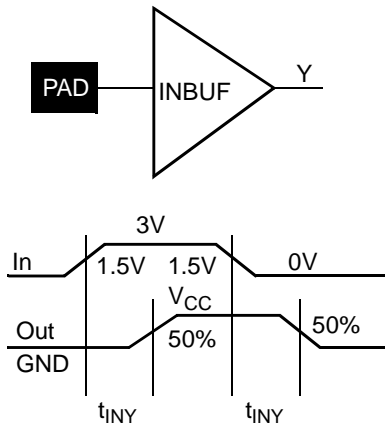
Load 1
(Used to measure propagation delay)



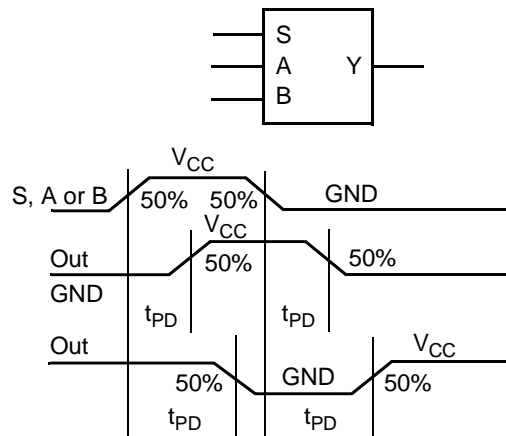
Load 2
(Used to measure rising/falling edges)



Input Buffer Delays

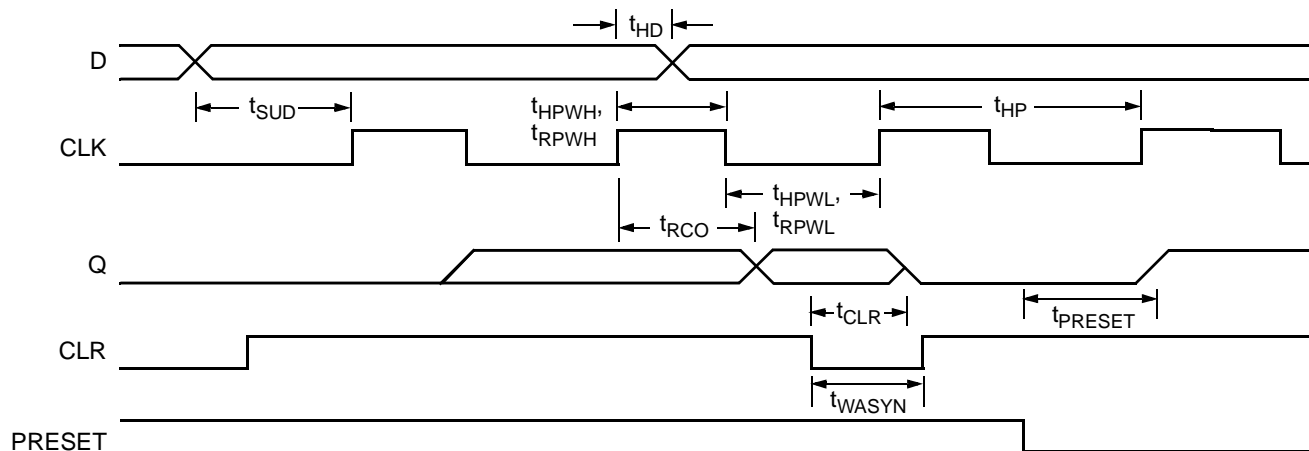
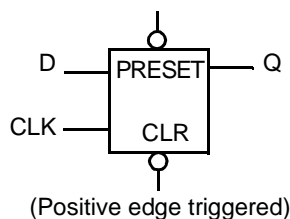


C-Cell Delays



Register Cell Timing Characteristics

Flip-Flops



Timing Characteristics

Timing characteristics for 54SX devices fall into three categories: family-dependent, device-dependent, and design-dependent. The input and output buffer characteristics are common to all 54SX family members. Internal routing delays are device dependent. Design dependency means actual delays are not determined until after placement and routing of the user's design is complete. Delay values may then be determined by using the DirectTime Analyzer utility or performing simulation with post-layout delays.

Critical Nets and Typical Nets

Propagation delays are expressed only for typical nets, which are used for initial design performance evaluation. Critical net delays can then be applied to the most time-critical paths. Critical nets are determined by net property assignment prior to placement and routing. Up to 6 percent of the nets in a design may be designated as critical, while 90 percent of the nets in a design are typical.

Long Tracks

Some nets in the design use long tracks. Long tracks are special routing resources that span multiple rows, columns, or modules. Long tracks employ three and sometimes five antifuse connections. This increases capacitance and resistance, resulting in longer net delays for macros connected to long tracks. Typically up to 6% of nets in a fully utilized device require long tracks. Long tracks contribute approximately 4 ns to 8.4 ns delay. This additional delay is represented statistically in higher fanout (FO=24) routing delays in the data sheet specifications section.

Timing Derating

54SX devices are manufactured in a CMOS process. Therefore, device performance varies according to temperature, voltage, and process variations. Minimum timing parameters reflect maximum operating voltage, minimum operating temperature, and best-case processing. Maximum timing parameters reflect minimum operating voltage, maximum operating temperature, and worst-case processing.

A54SX16 Timing Characteristics

(Worst-Case Military Conditions, $V_{CCR} = 4.75V$, $V_{CCA}, V_{CCI} = 3.0V$, $T_J = 125^{\circ}C$)

C-Cell Propagation Delays ¹		'-1' Speed		'Std' Speed		
Parameter	Description	Min.	Max.	Min.	Max.	Units
t_{PD}	Internal Array Module		0.9		1.0	ns
Predicted Routing Delays²						
t_{DC}	FO=1 Routing Delay, Direct Connect		0.1		0.1	ns
t_{FC}	FO=1 Routing Delay, Fast Connect		0.6		0.7	ns
t_{RD1}	FO=1 Routing Delay		0.7		0.8	ns
t_{RD2}	FO=2 Routing Delay		1.2		1.4	ns
t_{RD3}	FO=3 Routing Delay		1.7		2.0	ns
t_{RD4}	FO=4 Routing Delay		2.2		2.6	ns
t_{RD8}	FO=8 Routing Delay		4.3		5.0	ns
t_{RD12}	FO=12 Routing Delay		5.6		6.6	ns
t_{RD18}	FO=18 Routing Delay		9.4		11.0	ns
t_{RD24}	FO=24 Routing Delay		12.4		14.6	ns
R-Cell Timing						
t_{RCO}	Sequential Clock-to-Q		0.6		0.8	ns
t_{CLR}	Asynchronous Clear-to-Q		0.6		0.8	ns
t_{SUD}	Flip-Flop Data Input Set-Up	0.8		0.9		ns
t_{HD}	Flip-Flop Data Input Hold	0.0		0.0		ns
t_{WASYN}	Asynchronous Pulse Width	2.4		2.9		ns
I/O Module Input Propagation Delays						
t_{INYH}	Input Data Pad-to-Y HIGH		2.2		2.6	ns
t_{INYL}	Input Data Pad-to-Y LOW		2.2		2.6	ns
Predicted Input Routing Delays³						
t_{IRD1}	FO=1 Routing Delay		0.7		0.8	ns
t_{IRD2}	FO=2 Routing Delay		1.2		1.4	ns
t_{IRD3}	FO=3 Routing Delay		1.7		2.0	ns
t_{IRD4}	FO=4 Routing Delay		2.2		2.6	ns
t_{IRD8}	FO=8 Routing Delay		4.3		5.0	ns
t_{IRD12}	FO=12 Routing Delay		5.6		6.6	ns
t_{IRD18}	FO=18 Routing Delay		9.4		11.0	ns
t_{IRD24}	FO=24 Routing Delay		12.4		14.6	ns

Notes:

- For dual-module macros, use $t_{PD} + t_{RD1} + t_{PDn}$, $t_{RCO} + t_{RD1} + t_{PDn}$ or $t_{PD1} + t_{RD1} + t_{SUD}$, whichever is appropriate.
- Routing delays are for typical designs across worst-case operating conditions. These parameters should be used for estimating device performance. Post-route timing analysis or simulation is required to determine actual worst-case performance. Post-route timing is based on actual routing delay measurements performed on the device prior to shipment.
- Routing delays are for typical designs across worst-case operating conditions. These parameters should be used for estimating device performance. Post-route timing analysis or simulation is required to determine actual worst-case performance. Post-route timing is based on actual routing delay measurements performed on the device prior to shipment.

A54SX16 Timing Characteristics (continued)**(Worst-Case Military Conditions, $V_{CCR} = 4.75V$, $V_{CCA}, V_{CCI} = 3.0V$, $T_J = 125^{\circ}C$)**

I/O Module – TTL Output Timing ¹		‘-1’ Speed		‘Std’ Speed		
Parameter	Description	Min.	Max.	Min.	Max.	Units
t_{DLH}	Data-to-Pad LOW to HIGH		2.8		3.3	ns
t_{DHL}	Data-to-Pad HIGH to LOW		2.8		3.3	ns
t_{ENZL}	Enable-to-Pad, Z to L		2.3		2.8	ns
t_{ENZH}	Enable-to-Pad, Z to H		2.8		3.3	ns
t_{ENLZ}	Enable-to-Pad, L to Z		4.5		5.2	ns
t_{ENHZ}	Enable-to-Pad, H to Z		2.2		2.6	ns
d_{TLH}	Delta LOW to HIGH		0.05		0.06	ns/pF
d_{THL}	Delta HIGH to LOW		0.05		0.08	ns/pF
Dedicated (Hard-Wired) Array Clock Network						
t_{HCKH}	Input LOW to HIGH (Pad to R-Cell Input)		1.7		2.0	ns
t_{HCKL}	Input HIGH to LOW (Pad to R-Cell Input)		1.9		2.2	ns
t_{HPWH}	Minimum Pulse Width HIGH	2.1		2.4		ns
t_{HPWL}	Minimum Pulse Width LOW	2.1		2.4		ns
t_{HCKSW}	Maximum Skew		0.4		0.4	ns
t_{HP}	Minimum Period	4.2		4.9		ns
f_{HMAX}	Maximum Frequency		240		205	MHz
Routed Array Clock Networks						
t_{RCKH}	Input LOW to HIGH (Light Load) (Pad to R-Cell Input)		2.4		2.9	ns
t_{RCKL}	Input HIGH to LOW (Light Load) (Pad to R-Cell Input)		2.7		3.1	ns
t_{RCKH}	Input LOW to HIGH (50% Load) (Pad to R-Cell Input)		2.9		3.3	ns
t_{RCKL}	Input HIGH to LOW (50% Load) (Pad to R-Cell Input)		2.9		3.5	ns
t_{RCKH}	Input LOW to HIGH (100% Load) (Pad to R-Cell Input)		2.8		3.3	ns
t_{RCKL}	Input HIGH to LOW (100% Load) (Pad to R-Cell Input)		2.9		3.5	ns
t_{RPWH}	Min. Pulse Width HIGH	3.1		3.7		ns
t_{RPWL}	Min. Pulse Width LOW	3.1		3.7		ns
t_{RCKSW}	Maximum Skew (Light Load)		0.6		0.8	ns
t_{RCKSW}	Maximum Skew (50% Load)		0.8		0.9	ns
t_{RCKSW}	Maximum Skew (100% Load)		0.8		0.9	ns

Note:

1. Delays based on 35 pF loading, except for t_{ENZL} and t_{ENZH} . For t_{ENZL} and t_{ENZH} the loading is 5 pF.

RT54SX16 Timing Characteristics

(Worst-Case Military Conditions, $V_{CCR} = 4.75V$, V_{CCA} , $V_{CCI} = 3.0V$, $T_J = 125^{\circ}C$)

C-Cell Propagation Delays ¹		'-1' Speed		'Std' Speed		
Parameter	Description	Min.	Max.	Min.	Max.	Units
t_{PD}	Internal Array Module		1.7		1.8	ns
Predicted Routing Delays²						
t_{DC}	FO=1 Routing Delay, Direct Connect		0.2		0.2	ns
t_{FC}	FO=1 Routing Delay, Fast Connect		1.1		1.3	ns
t_{RD1}	FO=1 Routing Delay		1.3		1.5	ns
t_{RD2}	FO=2 Routing Delay		2.2		2.6	ns
t_{RD3}	FO=3 Routing Delay		3.1		3.6	ns
t_{RD4}	FO=4 Routing Delay		4.0		4.7	ns
t_{RD8}	FO=8 Routing Delay		7.8		9.0	ns
t_{RD12}	FO=12 Routing Delay		10.1		11.9	ns
t_{RD18}	FO=18 Routing Delay		17.0		19.8	ns
t_{RD24}	FO=24 Routing Delay		22.4		26.3	ns
R-Cell Timing						
t_{RCO}	Sequential Clock-to-Q		1.5		2.0	ns
t_{CLR}	Asynchronous Clear-to-Q		1.5		2.0	ns
t_{SUD}	Flip-Flop Data Input Set-Up	2.0		2.2		ns
t_{HD}	Flip-Flop Data Input Hold	0.0		0.0		ns
t_{WASYN}	Asynchronous Pulse Width	4.4		5.3		ns
I/O Module Input Propagation Delays						
t_{INYH}	Input Data Pad-to-Y HIGH		4.0		4.7	ns
t_{INYL}	Input Data Pad-to-Y LOW		4.0		4.7	ns
Predicted Input Routing Delays³						
t_{IRD1}	FO=1 Routing Delay		1.3		1.5	ns
t_{IRD2}	FO=2 Routing Delay		2.2		2.6	ns
t_{IRD3}	FO=3 Routing Delay		3.1		3.6	ns
t_{IRD4}	FO=4 Routing Delay		4.0		4.7	ns
t_{IRD8}	FO=8 Routing Delay		7.8		9.0	ns
t_{IRD12}	FO=12 Routing Delay		10.1		11.9	ns
t_{IRD18}	FO=18 Routing Delay		17.0		19.8	ns
t_{IRD24}	FO=24 Routing Delay		22.4		26.3	ns

Notes:

- For dual-module macros, use $t_{PD} + t_{RD1} + t_{PDn}$, $t_{RCO} + t_{RD1} + t_{PDn}$ or $t_{PD1} + t_{RD1} + t_{SUD}$, whichever is appropriate.
- Routing delays are for typical designs across worst-case operating conditions. These parameters should be used for estimating device performance. Post-route timing analysis or simulation is required to determine actual worst-case performance. Post-route timing is based on actual routing delay measurements performed on the device prior to shipment.
- Routing delays are for typical designs across worst-case operating conditions. These parameters should be used for estimating device performance. Post-route timing analysis or simulation is required to determine actual worst-case performance. Post-route timing is based on actual routing delay measurements performed on the device prior to shipment.

RT54SX16 Timing Characteristics (continued)**(Worst-Case Military Conditions, $V_{CCR} = 4.75V$, $V_{CCA}, V_{CCI} = 3.0V$, $T_J = 125^{\circ}C$)**

I/O Module – TTL Output Timing ¹		‘-1’ Speed		‘Std’ Speed		
Parameter	Description	Min.	Max.	Min.	Max.	Units
t_{DLH}	Data-to-Pad LOW to HIGH		5.1		6.0	ns
t_{DHL}	Data-to-Pad HIGH to LOW		5.1		6.0	ns
t_{ENZL}	Enable-to-Pad, Z to L		4.2		5.1	ns
t_{ENZH}	Enable-to-Pad, Z to H		5.1		6.0	ns
t_{ENLZ}	Enable-to-Pad, L to Z		8.1		9.4	ns
t_{ENHZ}	Enable-to-Pad, H to Z		4.0		4.7	ns
d_{TLH}	Delta LOW to HIGH		0.09		0.11	ns/pF
d_{THL}	Delta HIGH to LOW		0.09		0.15	ns/pF
Dedicated (Hard-Wired) Array Clock Network						
t_{HCKH}	Input LOW to HIGH (Pad to R-Cell Input)		3.1		3.6	ns
t_{HCKL}	Input HIGH to LOW (Pad to R-Cell Input)		3.5		4.0	ns
t_{HPWH}	Minimum Pulse Width HIGH	3.8		4.4		ns
t_{HPWL}	Minimum Pulse Width LOW	3.8		4.4		ns
t_{HCKSW}	Maximum Skew		0.8		0.8	ns
t_{HP}	Minimum Period	7.6		8.9		ns
f_{HMAX}	Maximum Frequency		130		110	MHz
Routed Array Clock Networks						
t_{RCKH}	Input LOW to HIGH (Light Load) (Pad to R-Cell Input)		4.4		5.3	ns
t_{RCKL}	Input HIGH to LOW (Light Load) (Pad to R-Cell Input)		4.9		5.6	ns
t_{RCKH}	Input LOW to HIGH (50% Load) (Pad to R-Cell Input)		5.3		6.0	ns
t_{RCKL}	Input HIGH to LOW (50% Load) (Pad to R-Cell Input)		5.3		6.3	ns
t_{RCKH}	Input LOW to HIGH (100% Load) (Pad to R-Cell Input)		5.1		6.0	ns
t_{RCKL}	Input HIGH to LOW (100% Load) (Pad to R-Cell Input)		5.3		6.3	ns
t_{RPWH}	Min. Pulse Width HIGH	5.6		6.7		ns
t_{RPWL}	Min. Pulse Width LOW	5.6		6.7		ns
t_{RCKSW}	Maximum Skew (Light Load)		1.1		1.5	ns
t_{RCKSW}	Maximum Skew (50% Load)		1.5		1.7	ns
t_{RCKSW}	Maximum Skew (100% Load)		1.5		1.7	ns

Note:

1. Delays based on 35 pF loading, except for t_{ENZL} and t_{ENZH} . For t_{ENZL} and t_{ENZH} the loading is 5 pF.

A54SX32 Timing Characteristics

(Worst-Case Military Conditions, $V_{CCR} = 4.75V$, $V_{CCA}, V_{CCI} = 3.0V$, $T_J = 125^{\circ}C$)

C-Cell Propagation Delays ¹		'-1' Speed		'Std' Speed		
Parameter	Description	Min.	Max.	Min.	Max.	Units
t_{PD}	Internal Array Module		0.9		1.0	ns
Predicted Routing Delays²						
t_{DC}	FO=1 Routing Delay, Direct Connect		0.1		0.1	ns
t_{FC}	FO=1 Routing Delay, Fast Connect		0.6		0.7	ns
t_{RD1}	FO=1 Routing Delay		0.7		0.8	ns
t_{RD2}	FO=2 Routing Delay		1.2		1.4	ns
t_{RD3}	FO=3 Routing Delay		1.7		2.0	ns
t_{RD4}	FO=4 Routing Delay		2.2		2.6	ns
t_{RD8}	FO=8 Routing Delay		4.3		5.0	ns
t_{RD12}	FO=12 Routing Delay		5.6		6.6	ns
t_{RD18}	FO=18 Routing Delay		9.4		11.0	ns
t_{RD24}	FO=24 Routing Delay		12.4		14.6	ns
R-Cell Timing						
t_{RCO}	Sequential Clock-to-Q		0.6		0.8	ns
t_{CLR}	Asynchronous Clear-to-Q		0.6		0.8	ns
t_{SUD}	Flip-Flop Data Input Set-Up	0.8		0.9		ns
t_{HD}	Flip-Flop Data Input Hold	0.0		0.0		ns
t_{WASYN}	Asynchronous Pulse Width	2.4		2.9		ns
I/O Module Input Propagation Delays						
t_{INYH}	Input Data Pad-to-Y HIGH		2.2		2.6	ns
t_{INYL}	Input Data Pad-to-Y LOW		2.2		2.6	ns
Predicted Input Routing Delays³						
t_{IRD1}	FO=1 Routing Delay		0.7		0.8	ns
t_{IRD2}	FO=2 Routing Delay		1.2		1.4	ns
t_{IRD3}	FO=3 Routing Delay		1.7		2.0	ns
t_{IRD4}	FO=4 Routing Delay		2.2		2.6	ns
t_{IRD8}	FO=8 Routing Delay		4.3		5.0	ns
t_{IRD12}	FO=12 Routing Delay		5.6		6.6	ns
t_{IRD18}	FO=18 Routing Delay		9.4		11.0	ns
t_{IRD24}	FO=24 Routing Delay		12.4		14.6	ns

Notes:

- For dual-module macros, use $t_{PD} + t_{RD1} + t_{PDn}$, $t_{RCO} + t_{RD1} + t_{PDn}$ or $t_{PD1} + t_{RD1} + t_{SUD}$, whichever is appropriate.
- Routing delays are for typical designs across worst-case operating conditions. These parameters should be used for estimating device performance. Post-route timing analysis or simulation is required to determine actual worst-case performance. Post-route timing is based on actual routing delay measurements performed on the device prior to shipment.
- Routing delays are for typical designs across worst-case operating conditions. These parameters should be used for estimating device performance. Post-route timing analysis or simulation is required to determine actual worst-case performance. Post-route timing is based on actual routing delay measurements performed on the device prior to shipment.

A54SX32 Timing Characteristics (continued)**(Worst-Case Military Conditions, $V_{CCR} = 4.75V$, $V_{CCA}, V_{CCI} = 3.0V$, $T_J = 125^{\circ}C$)**

I/O Module – TTL Output Timing ¹		‘-1’ Speed		‘Std’ Speed		
Parameter	Description	Min.	Max.	Min.	Max.	Units
t_{DLH}	Data-to-Pad LOW to HIGH		2.8		3.3	ns
t_{DHL}	Data-to-Pad HIGH to LOW		2.8		3.3	ns
t_{ENZL}	Enable-to-Pad, Z to L		2.3		2.8	ns
t_{ENZH}	Enable-to-Pad, Z to H		2.8		3.3	ns
t_{ENLZ}	Enable-to-Pad, L to Z		4.5		5.2	ns
t_{ENHZ}	Enable-to-Pad, H to Z		2.2		2.6	ns
d_{TLH}	Delta LOW to HIGH		0.05		0.06	ns/pF
d_{THL}	Delta HIGH to LOW		0.05		0.08	ns/pF
Dedicated (Hard-Wired) Array Clock Network						
t_{HCKH}	Input LOW to HIGH (Pad to R-Cell Input)		1.7		2.0	ns
t_{HCKL}	Input HIGH to LOW (Pad to R-Cell Input)		1.9		2.2	ns
t_{HPWH}	Minimum Pulse Width HIGH	2.1		2.4		ns
t_{HPWL}	Minimum Pulse Width LOW	2.1		2.4		ns
t_{HCKSW}	Maximum Skew		0.4		0.4	ns
t_{HP}	Minimum Period	4.2		4.8		ns
f_{HMAX}	Maximum Frequency		240		205	MHz
Routed Array Clock Networks						
t_{RCKH}	Input LOW to HIGH (Light Load) (Pad to R-Cell Input)		2.4		2.9	ns
t_{RCKL}	Input HIGH to LOW (Light Load) (Pad to R-Cell Input)		2.7		3.1	ns
t_{RCKH}	Input LOW to HIGH (50% Load) (Pad to R-Cell Input)		2.9		3.3	ns
t_{RCKL}	Input HIGH to LOW (50% Load) (Pad to R-Cell Input)		2.9		3.5	ns
t_{RCKH}	Input LOW to HIGH (100% Load) (Pad to R-Cell Input)		2.8		3.3	ns
t_{RCKL}	Input HIGH to LOW (100% Load) (Pad to R-Cell Input)		2.9		3.5	ns
t_{RPWH}	Min. Pulse Width HIGH	3.1		3.7		ns
t_{RPWL}	Min. Pulse Width LOW	3.1		3.7		ns
t_{RCKSW}	Maximum Skew (Light Load)		0.6		0.8	ns
t_{RCKSW}	Maximum Skew (50% Load)		0.8		0.9	ns
t_{RCKSW}	Maximum Skew (100% Load)		0.8		0.9	ns

Note:

1. Delays based on 35 pF loading, except t_{ENZL} and t_{ENZH} . For t_{ENZL} and t_{ENZH} the loading is 5 pF.

RT54SX32 Timing Characteristics
(Worst-Case Military Conditions, $V_{CCR} = 4.75V$, V_{CCA} , $V_{CCI} = 3.0V$, $T_J = 125^{\circ}C$)

C-Cell Propagation Delays ¹		'-1' Speed		'Std' Speed		
Parameter	Description	Min.	Max.	Min.	Max.	Units
t_{PD}	Internal Array Module		1.7		1.8	ns
Predicted Routing Delays²						
t_{DC}	FO=1 Routing Delay, Direct Connect		0.2		0.2	ns
t_{FC}	FO=1 Routing Delay, Fast Connect		1.1		1.3	ns
t_{RD1}	FO=1 Routing Delay		1.3		1.5	ns
t_{RD2}	FO=2 Routing Delay		2.2		2.6	ns
t_{RD3}	FO=3 Routing Delay		3.1		3.6	ns
t_{RD4}	FO=4 Routing Delay		4.0		4.7	ns
t_{RD8}	FO=8 Routing Delay		7.8		9.0	ns
t_{RD12}	FO=12 Routing Delay		10.1		11.9	ns
t_{RD18}	FO=18 Routing Delay		17.0		19.8	ns
t_{RD24}	FO=24 Routing Delay		22.4		26.3	ns
R-Cell Timing						
t_{RCO}	Sequential Clock-to-Q		1.5		2.0	ns
t_{CLR}	Asynchronous Clear-to-Q		1.5		2.0	ns
t_{SUD}	Flip-Flop Data Input Set-Up	2.0		2.2		ns
t_{HD}	Flip-Flop Data Input Hold	0.0		0.0		ns
t_{WASYN}	Asynchronous Pulse Width	4.4		5.3		ns
I/O Module Input Propagation Delays						
t_{INYH}	Input Data Pad-to-Y HIGH		4.0		4.7	ns
t_{INYL}	Input Data Pad-to-Y LOW		4.0		4.7	ns
Predicted Input Routing Delays³						
t_{IRD1}	FO=1 Routing Delay		1.3		1.5	ns
t_{IRD2}	FO=2 Routing Delay		2.2		2.6	ns
t_{IRD3}	FO=3 Routing Delay		3.1		3.6	ns
t_{IRD4}	FO=4 Routing Delay		4.0		4.7	ns
t_{IRD8}	FO=8 Routing Delay		7.8		9.0	ns
t_{IRD12}	FO=12 Routing Delay		10.1		11.9	ns
t_{IRD18}	FO=18 Routing Delay		17.0		19.8	ns
t_{IRD24}	FO=24 Routing Delay		22.4		26.3	ns

Notes:

- For dual-module macros, use $t_{PD} + t_{RD1} + t_{PDn}$, $t_{RCO} + t_{RD1} + t_{PDn}$ or $t_{PD1} + t_{RD1} + t_{SUD}$, whichever is appropriate.
- Routing delays are for typical designs across worst-case operating conditions. These parameters should be used for estimating device performance. Post-route timing analysis or simulation is required to determine actual worst-case performance. Post-route timing is based on actual routing delay measurements performed on the device prior to shipment.
- Routing delays are for typical designs across worst-case operating conditions. These parameters should be used for estimating device performance. Post-route timing analysis or simulation is required to determine actual worst-case performance. Post-route timing is based on actual routing delay measurements performed on the device prior to shipment.

RT54SX32 Timing Characteristics (continued)**(Worst-Case Military Conditions, $V_{CCR} = 4.75V$, $V_{CCA}, V_{CCI} = 3.0V$, $T_J = 125^{\circ}C$)**

I/O Module – TTL Output Timing ¹		‘-1’ Speed		‘Std’ Speed		
Parameter	Description	Min.	Max.	Min.	Max.	Units
t_{DLH}	Data-to-Pad LOW to HIGH		5.1		6.0	ns
t_{DHL}	Data-to-Pad HIGH to LOW		5.1		6.0	ns
t_{ENZL}	Enable-to-Pad, Z to L		4.2		5.1	ns
t_{ENZH}	Enable-to-Pad, Z to H		5.1		6.0	ns
t_{ENLZ}	Enable-to-Pad, L to Z		8.1		9.4	ns
t_{ENHZ}	Enable-to-Pad, H to Z		4.0		4.7	ns
d_{TLH}	Delta LOW to HIGH		0.09		0.11	ns/pF
d_{THL}	Delta HIGH to LOW		0.09		0.15	ns/pF
Dedicated (Hard-Wired) Array Clock Network						
t_{HCKH}	Input LOW to HIGH (Pad to R-Cell Input)		3.1		3.6	ns
t_{HCKL}	Input HIGH to LOW (Pad to R-Cell Input)		3.5		4.0	ns
t_{HPWH}	Minimum Pulse Width HIGH	3.8		4.4		ns
t_{HPWL}	Minimum Pulse Width LOW	3.8		4.4		ns
t_{HCKSW}	Maximum Skew		0.8		0.8	ns
t_{HP}	Minimum Period	7.6		8.9		ns
f_{HMAX}	Maximum Frequency		130		110	MHz
Routed Array Clock Networks						
t_{RCKH}	Input LOW to HIGH (Light Load) (Pad to R-Cell Input)		4.4		5.3	ns
t_{RCKL}	Input HIGH to LOW (Light Load) (Pad to R-Cell Input)		4.9		5.6	ns
t_{RCKH}	Input LOW to HIGH (50% Load) (Pad to R-Cell Input)		5.3		6.0	ns
t_{RCKL}	Input HIGH to LOW (50% Load) (Pad to R-Cell Input)		5.3		6.3	ns
t_{RCKH}	Input LOW to HIGH (100% Load) (Pad to R-Cell Input)		5.1		6.0	ns
t_{RCKL}	Input HIGH to LOW (100% Load) (Pad to R-Cell Input)		5.3		6.3	ns
t_{RPWH}	Min. Pulse Width HIGH	5.6		6.7		ns
t_{RPWL}	Min. Pulse Width LOW	5.6		6.7		ns
t_{RCKSW}	Maximum Skew (Light Load)		1.1		1.5	ns
t_{RCKSW}	Maximum Skew (50% Load)		1.5		1.7	ns
t_{RCKSW}	Maximum Skew (100% Load)		1.5		1.7	ns

Note:

1. Delays based on 35 pF loading, except t_{ENZL} and t_{ENZH} . For t_{ENZL} and t_{ENZH} the loading is 5 pF.

Pin Description

CLKA, CLKB **Clock A and B**

These pins are clock inputs for clock distribution networks. Input levels are compatible with standard TTL or LVTTTL specifications. The clock input is buffered prior to clocking the R-cells. If not used, this pin must be set LOW or HIGH on the board. It must not be left floating.

GND **Ground**

LOW supply voltage.

HCLK **Dedicated (Hard-wired) Array Clock**

This pin is the clock input for sequential modules. Input levels are compatible with standard TTL or LVTTTL specifications. This input is directly wired to each R-cell and offers clock speeds independent of the number of R-cells being driven. If not used, this pin must be set LOW or HIGH on the board. It must not be left floating.

I/O **Input/Output**

The I/O pin functions as an input, output, tristate, or bidirectional buffer. Based on certain configurations, input and output levels are compatible with standard TTL or LVTTTL specifications. Unused I/O pins are automatically tristated by the Designer Series software.

NC **No Connection**

This pin is not connected to circuitry within the device. These pins can be driven to any voltage or can be left floating with no effect on the operation of the device.

PRA, I/O, PRB, I/O **Probe A/B**

The Probe pin is used to output data from any user-defined design node within the device. This independent diagnostic pin can be used in conjunction with the other probe pin to allow real-time diagnostic output of any signal path within the device. The Probe pin can be used as a user-defined I/O when verification has been completed. The pin's probe capabilities can be permanently disabled to protect programmed design confidentiality.

TCK, I/O **Test Clock (Input)**

Test clock input for diagnostic probe and device programming. In flexible mode, TCK becomes active when the TMS pin is set LOW (see [Table 2 on page 9](#)). This pin functions as an I/O when the JTAG state machine reaches the "logic reset" state.

TDI, I/O **Test Data Input**

Serial input for boundary scan testing and diagnostic probe. In flexible mode, TDI is active when the TMS pin is set LOW (refer to [Table 2 on page 9](#)). This pin functions as an I/O when the boundary scan state machine reaches the "logic reset" state.

TDO, I/O **Test Data Output**

Serial output for boundary scan testing. In flexible mode, TDO is active when the TMS pin is set LOW (refer to [Table 2 on page 9](#)). This pin functions as an I/O when the boundary scan state machine reaches the "logic reset" state.

TMS **Test Mode Select**

The TMS pin controls the use of the IEEE 1149.1 Boundary Scan pins (TCK, TDI, TDO, TRST). In flexible mode when the TMS pin is set LOW, the TCK, TDI, and TDO pins are boundary scan pins (refer to [Table 2 on page 9](#)). Once the boundary scan pins are in test mode, they will remain in that mode until the internal boundary scan state machine reaches the "logic reset" state. At this point, the boundary scan pins will be released and will function as regular I/O pins. The "logic reset" state is reached 5 TCK cycles after the TMS pin is set HIGH. In dedicated test mode, TMS functions as specified in the IEEE 1149.1 specifications.

TRST **Boundary Scan Reset Pin**

The TRST pin functions as an active-low input to asynchronously initialize or reset the boundary scan circuit. The TRST pin is equipped with an internal pull-up resistor.

V_{CCI} **Supply Voltage**

Supply voltage for I/Os. See [Table 1 on page 8](#).

V_{CCA} **Supply Voltage**

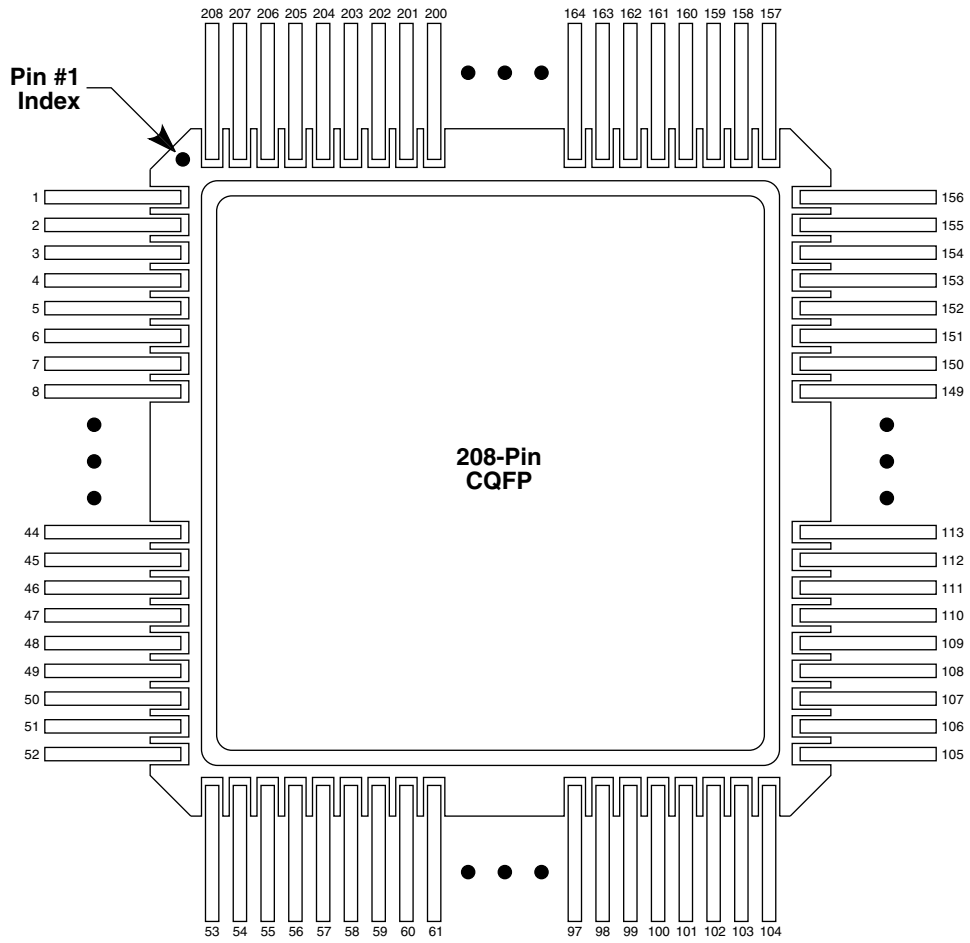
Supply voltage for Array. See [Table 1 on page 8](#).

V_{CCR} **Supply Voltage**

Supply voltage for input tolerance (required for internal biasing). See [Table 1 on page 8](#).

Package Pin Assignments

208-Pin CQFP (Top View)



208-Pin CQFP

Pin Number	A54SX16 Function	RT54SX16 Function	A54SX32 Function	RT54SX32 Function
1	GND	GND	GND	GND
2	TDI, I/O	TDI, I/O	TDI, I/O	TDI, I/O
3	I/O	I/O	I/O	I/O
4	I/O	I/O	I/O	I/O
5	I/O	I/O	I/O	I/O
6	I/O	I/O	I/O	I/O
7	I/O	I/O	I/O	I/O
8	I/O	I/O	I/O	I/O
9	I/O	I/O	I/O	I/O
10	I/O	I/O	I/O	I/O
11	TMS	TMS	TMS	TMS
12	V _{CCI}	V _{CCI}	V _{CCI}	V _{CCI}
13	I/O	I/O	I/O	I/O
14	I/O	I/O	I/O	I/O
15	I/O	I/O	I/O	I/O
16	I/O	I/O	I/O	I/O
17	I/O	I/O	I/O	I/O
18	I/O	I/O	I/O	I/O
19	I/O	I/O	I/O	I/O
20	I/O	I/O	I/O	I/O
21	I/O	I/O	I/O	I/O
22	I/O	I/O	I/O	I/O
23	I/O	I/O	I/O	I/O
24	I/O	I/O	I/O	I/O
25	V _{CCR}	V _{CCR}	V _{CCR}	V _{CCR}
26	GND	GND	GND	GND
27	V _{CCA}	V _{CCA}	V _{CCA}	V _{CCA}
28	GND	GND	GND	GND
29	I/O	I/O	I/O	I/O
30	I/O	TRST	I/O	TRST
31	I/O	I/O	I/O	I/O
32	I/O	I/O	I/O	I/O
33	I/O	I/O	I/O	I/O
34	I/O	I/O	I/O	I/O
35	I/O	I/O	I/O	I/O
36	I/O	I/O	I/O	I/O
37	I/O	I/O	I/O	I/O
38	I/O	I/O	I/O	I/O
39	I/O	I/O	I/O	I/O
40	V _{CCI}	V _{CCI}	V _{CCI}	V _{CCI}
41	V _{CCA}	V _{CCA}	V _{CCA}	V _{CCA}
42	I/O	I/O	I/O	I/O
43	I/O	I/O	I/O	I/O
44	I/O	I/O	I/O	I/O
45	I/O	I/O	I/O	I/O
46	I/O	I/O	I/O	I/O
47	I/O	I/O	I/O	I/O
48	I/O	I/O	I/O	I/O
49	I/O	I/O	I/O	I/O
50	I/O	I/O	I/O	I/O
51	I/O	I/O	I/O	I/O
52	GND	GND	GND	GND

Pin Number	A54SX16 Function	RT54SX16 Function	A54SX32 Function	RT54SX32 Function
53	I/O	I/O	I/O	I/O
54	I/O	I/O	I/O	I/O
55	I/O	I/O	I/O	I/O
56	I/O	I/O	I/O	I/O
57	I/O	I/O	I/O	I/O
58	I/O	I/O	I/O	I/O
59	I/O	I/O	I/O	I/O
60	V _{CCI}	V _{CCI}	V _{CCI}	V _{CCI}
61	I/O	I/O	I/O	I/O
62	I/O	I/O	I/O	I/O
63	I/O	I/O	I/O	I/O
64	I/O	I/O	I/O	I/O
65	I/O	I/O	NC	NC
66	I/O	I/O	I/O	I/O
67	I/O	I/O	I/O	I/O
68	I/O	I/O	I/O	I/O
69	I/O	I/O	I/O	I/O
70	I/O	I/O	I/O	I/O
71	I/O	I/O	I/O	I/O
72	I/O	I/O	I/O	I/O
73	I/O	I/O	I/O	I/O
74	I/O	I/O	I/O	I/O
75	I/O	I/O	I/O	I/O
76	PRB, I/O	PRB, I/O	PRB, I/O	PRB, I/O
77	GND	GND	GND	GND
78	V _{CCA}	V _{CCA}	V _{CCA}	V _{CCA}
79	GND	GND	GND	GND
80	V _{CCR}	V _{CCR}	V _{CCR}	V _{CCR}
81	I/O	I/O	I/O	I/O
82	HCLK	HCLK	HCLK	HCLK
83	I/O	I/O	I/O	I/O
84	I/O	I/O	I/O	I/O
85	I/O	I/O	I/O	I/O
86	I/O	I/O	I/O	I/O
87	I/O	I/O	I/O	I/O
88	I/O	I/O	I/O	I/O
89	I/O	I/O	I/O	I/O
90	I/O	I/O	I/O	I/O
91	I/O	I/O	I/O	I/O
92	I/O	I/O	I/O	I/O
93	I/O	I/O	I/O	I/O
94	I/O	I/O	I/O	I/O
95	I/O	I/O	I/O	I/O
96	I/O	I/O	I/O	I/O
97	I/O	I/O	I/O	I/O
98	V _{CCI}	V _{CCI}	V _{CCI}	V _{CCI}
99	I/O	I/O	I/O	I/O
100	I/O	I/O	I/O	I/O
101	I/O	I/O	I/O	I/O
102	I/O	I/O	I/O	I/O
103	TDO, I/O	TDO, I/O	TDO, I/O	TDO, I/O
104	I/O	I/O	I/O	I/O

Notes:

1. Pin 30 in RT54SX16 and RT54SX32-CQ208 are TRST pins.
2. Pin 65 in A54SX32 and RT54SX32-CQ208 are No Connects.

208-Pin CQFP (Continued)

Pin Number	A54SX16 Function	RT54SX16 Function	A54SX32 Function	RT54SX32 Function
105	GND	GND	GND	GND
106	I/O	I/O	I/O	I/O
107	I/O	I/O	I/O	I/O
108	I/O	I/O	I/O	I/O
109	I/O	I/O	I/O	I/O
110	I/O	I/O	I/O	I/O
111	I/O	I/O	I/O	I/O
112	I/O	I/O	I/O	I/O
113	I/O	I/O	I/O	I/O
114	V _{CCA}	V _{CCA}	V _{CCA}	V _{CCA}
115	V _{CCI}	V _{CCI}	V _{CCI}	V _{CCI}
116	I/O	I/O	I/O	I/O
117	I/O	I/O	I/O	I/O
118	I/O	I/O	I/O	I/O
119	I/O	I/O	I/O	I/O
120	I/O	I/O	I/O	I/O
121	I/O	I/O	I/O	I/O
122	I/O	I/O	I/O	I/O
123	I/O	I/O	I/O	I/O
124	I/O	I/O	I/O	I/O
125	I/O	I/O	I/O	I/O
126	I/O	I/O	I/O	I/O
127	I/O	I/O	I/O	I/O
128	I/O	I/O	I/O	I/O
129	GND	GND	GND	GND
130	V _{CCA}	V _{CCA}	V _{CCA}	V _{CCA}
131	GND	GND	GND	GND
132	V _{CCR}	V _{CCR}	V _{CCR}	V _{CCR}
133	I/O	I/O	I/O	I/O
134	I/O	I/O	I/O	I/O
135	I/O	I/O	I/O	I/O
136	I/O	I/O	I/O	I/O
137	I/O	I/O	I/O	I/O
138	I/O	I/O	I/O	I/O
139	I/O	I/O	I/O	I/O
140	I/O	I/O	I/O	I/O
141	I/O	I/O	I/O	I/O
142	I/O	I/O	I/O	I/O
143	I/O	I/O	I/O	I/O
144	I/O	I/O	I/O	I/O
145	V _{CCA}	V _{CCA}	V _{CCA}	V _{CCA}
146	GND	GND	GND	GND
147	I/O	I/O	I/O	I/O
148	V _{CCI}	V _{CCI}	V _{CCI}	V _{CCI}
149	I/O	I/O	I/O	I/O
150	I/O	I/O	I/O	I/O
151	I/O	I/O	I/O	I/O
152	I/O	I/O	I/O	I/O
153	I/O	I/O	I/O	I/O
154	I/O	I/O	I/O	I/O
155	I/O	I/O	I/O	I/O
156	I/O	I/O	I/O	I/O

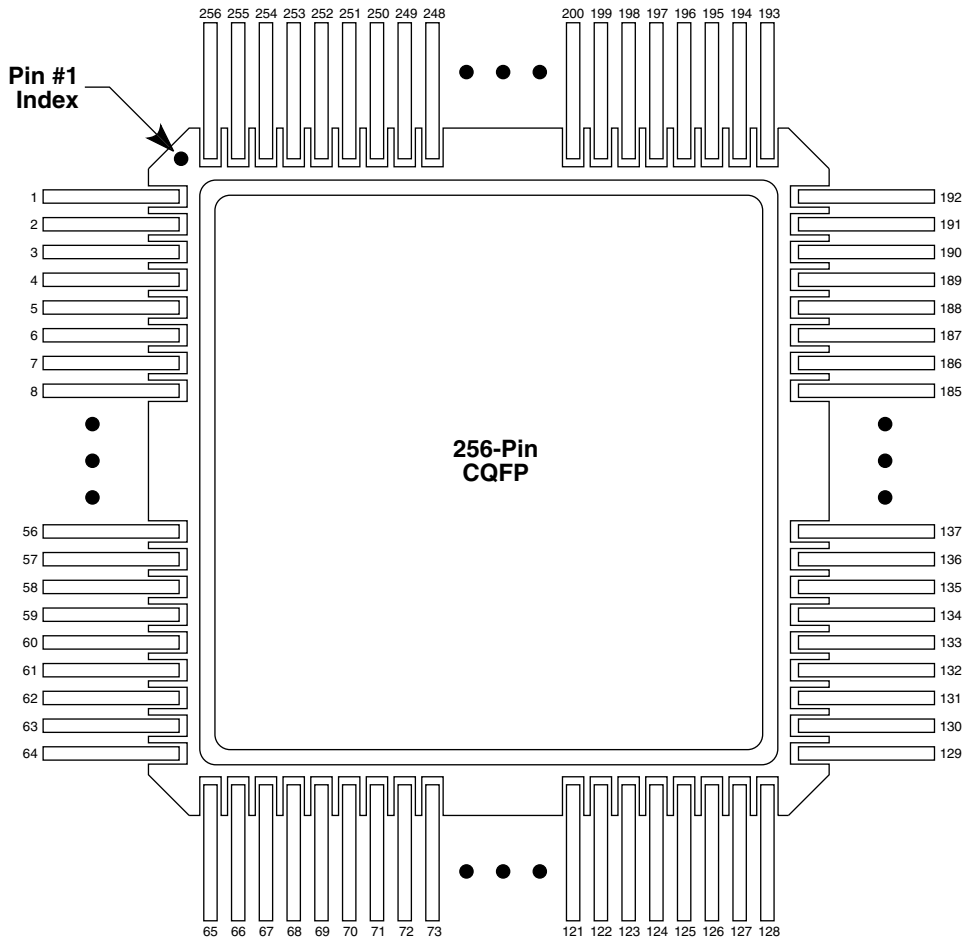
Pin Number	A54SX16 Function	RT54SX16 Function	A54SX32 Function	RT54SX32 Function
157	GND	GND	GND	GND
158	I/O	I/O	I/O	I/O
159	I/O	I/O	I/O	I/O
160	I/O	I/O	I/O	I/O
161	I/O	I/O	I/O	I/O
162	I/O	I/O	I/O	I/O
163	I/O	I/O	I/O	I/O
164	V _{CCI}	V _{CCI}	V _{CCI}	V _{CCI}
165	I/O	I/O	I/O	I/O
166	I/O	I/O	I/O	I/O
167	I/O	I/O	I/O	I/O
168	I/O	I/O	I/O	I/O
169	I/O	I/O	I/O	I/O
170	I/O	I/O	I/O	I/O
171	I/O	I/O	I/O	I/O
172	I/O	I/O	I/O	I/O
173	I/O	I/O	I/O	I/O
174	I/O	I/O	I/O	I/O
175	I/O	I/O	I/O	I/O
176	I/O	I/O	I/O	I/O
177	I/O	I/O	I/O	I/O
178	I/O	I/O	I/O	I/O
179	I/O	I/O	I/O	I/O
180	CLKA	CLKA	CLKA	CLKA
181	CLKB	CLKB	CLKB	CLKB
182	V _{CCR}	V _{CCR}	V _{CCR}	V _{CCR}
183	GND	GND	GND	GND
184	V _{CCA}	V _{CCA}	V _{CCA}	V _{CCA}
185	GND	GND	GND	GND
186	PRA, I/O	PRA, I/O	PRA, I/O	PRA, I/O
187	I/O	I/O	I/O	I/O
188	I/O	I/O	I/O	I/O
189	I/O	I/O	I/O	I/O
190	I/O	I/O	I/O	I/O
191	I/O	I/O	I/O	I/O
192	I/O	I/O	I/O	I/O
193	I/O	I/O	I/O	I/O
194	I/O	I/O	I/O	I/O
195	I/O	I/O	I/O	I/O
196	I/O	I/O	I/O	I/O
197	I/O	I/O	I/O	I/O
198	I/O	I/O	I/O	I/O
199	I/O	I/O	I/O	I/O
200	I/O	I/O	I/O	I/O
201	V _{CCI}	V _{CCI}	V _{CCI}	V _{CCI}
202	I/O	I/O	I/O	I/O
203	I/O	I/O	I/O	I/O
204	I/O	I/O	I/O	I/O
205	I/O	I/O	I/O	I/O
206	I/O	I/O	I/O	I/O
207	I/O	I/O	I/O	I/O
208	TCK, I/O	TCK, I/O	TCK, I/O	TCK, I/O

Notes:

1. Pin 30 in RT54SX16 and RT54SX32-CQ208 are TRST pins.
2. Pin 65 in A54SX32 and RT54SX32-CQ208 are No Connects.

Package Pin Assignments (continued)

256-Pin CQFP (Top View)



256-Pin CQFP

Pin Number	A54SX16 Function	RT54SX16 Function	A54SX32 Function	RT54SX32 Function
1	GND	GND	GND	GND
2	TDI, I/O	TDI, I/O	TDI, I/O	TDI, I/O
3	I/O	I/O	I/O	I/O
4	I/O	I/O	I/O	I/O
5	I/O	I/O	I/O	I/O
6	I/O	I/O	I/O	I/O
7	I/O	I/O	I/O	I/O
8	I/O	I/O	I/O	I/O
9	I/O	I/O	I/O	I/O
10	I/O	I/O	I/O	I/O
11	TMS	TMS	TMS	TMS
12	NC	NC	I/O	I/O
13	NC	NC	I/O	I/O
14	I/O	I/O	I/O	I/O
15	I/O	I/O	I/O	I/O
16	NC	NC	I/O	I/O
17	I/O	I/O	I/O	I/O
18	I/O	I/O	I/O	I/O
19	I/O	I/O	I/O	I/O
20	NC	NC	I/O	I/O
21	I/O	I/O	I/O	I/O
22	I/O	I/O	I/O	I/O
23	I/O	I/O	I/O	I/O
24	I/O	I/O	I/O	I/O
25	I/O	I/O	I/O	I/O
26	I/O	I/O	I/O	I/O
27	I/O	I/O	I/O	I/O
28	V _{CCI}	V _{CCI}	V _{CCI}	V _{CCI}
29	GND	GND	GND	GND
30	V _{CCA}	V _{CCA}	V _{CCA}	V _{CCA}
31	GND	GND	GND	GND
32	NC	NC	I/O	I/O
33	I/O	I/O	I/O	I/O
34	I/O	TRST	I/O	TRST
35	I/O	I/O	I/O	I/O
36	NC	NC	I/O	I/O
37	I/O	I/O	I/O	I/O
38	I/O	I/O	I/O	I/O
39	I/O	I/O	I/O	I/O
40	I/O	I/O	I/O	I/O
41	NC	NC	I/O	I/O
42	I/O	I/O	I/O	I/O
43	I/O	I/O	I/O	I/O
44	I/O	I/O	I/O	I/O
45	I/O	I/O	I/O	I/O
46	V _{CCA}	V _{CCA}	V _{CCA}	V _{CCA}
47	I/O	I/O	I/O	I/O
48	NC	NC	I/O	I/O
49	I/O	I/O	I/O	I/O
50	I/O	I/O	I/O	I/O
51	NC	NC	I/O	I/O
52	I/O	I/O	I/O	I/O

Pin Number	A54SX16 Function	RT54SX16 Function	A54SX32 Function	RT54SX32 Function
53	I/O	I/O	I/O	I/O
54	NC	NC	I/O	I/O
55	I/O	I/O	I/O	I/O
56	I/O	I/O	I/O	I/O
57	NC	NC	I/O	I/O
58	I/O	I/O	I/O	I/O
59	GND	GND	GND	GND
60	I/O	I/O	I/O	I/O
61	NC	NC	I/O	I/O
62	I/O	I/O	I/O	I/O
63	NC	NC	I/O	I/O
64	I/O	I/O	I/O	I/O
65	I/O	I/O	I/O	I/O
66	I/O	I/O	I/O	I/O
67	I/O	I/O	I/O	I/O
68	NC	NC	I/O	I/O
69	I/O	I/O	I/O	I/O
70	I/O	I/O	I/O	I/O
71	I/O	I/O	I/O	I/O
72	I/O	I/O	I/O	I/O
73	NC	NC	I/O	I/O
74	I/O	I/O	I/O	I/O
75	I/O	I/O	I/O	I/O
76	I/O	I/O	I/O	I/O
77	NC	NC	I/O	I/O
78	I/O	I/O	I/O	I/O
79	I/O	I/O	I/O	I/O
80	I/O	I/O	I/O	I/O
81	I/O	I/O	I/O	I/O
82	I/O	I/O	I/O	I/O
83	I/O	I/O	I/O	I/O
84	I/O	I/O	I/O	I/O
85	I/O	I/O	I/O	I/O
86	I/O	I/O	I/O	I/O
87	I/O	I/O	I/O	I/O
88	I/O	I/O	I/O	I/O
89	I/O	I/O	I/O	I/O
90	PRB, I/O	PRB, I/O	PRB, I/O	PRB, I/O
91	GND	GND	GND	GND
92	V _{CCI}	V _{CCI}	V _{CCI}	V _{CCI}
93	GND	GND	GND	GND
94	V _{CCA}	V _{CCA}	V _{CCA}	V _{CCA}
95	I/O	I/O	I/O	I/O
96	HCLK	HCLK	HCLK	HCLK
97	I/O	I/O	I/O	I/O
98	NC	NC	I/O	I/O
99	I/O	I/O	I/O	I/O
100	I/O	I/O	I/O	I/O
101	I/O	I/O	I/O	I/O
102	NC	NC	I/O	I/O
103	I/O	I/O	I/O	I/O
104	I/O	I/O	I/O	I/O

Note:

1. Pin 34 in RT54SX16 and RT54SX32-CQ256 are TRST pins.

256-Pin CQFP

Pin Number	A54SX16 Function	RT54SX16 Function	A54SX32 Function	RT54SX32 Function
105	I/O	I/O	I/O	I/O
106	NC	NC	I/O	I/O
107	I/O	I/O	I/O	I/O
108	I/O	I/O	I/O	I/O
109	I/O	I/O	I/O	I/O
110	GND	GND	GND	GND
111	I/O	I/O	I/O	I/O
112	I/O	I/O	I/O	I/O
113	I/O	I/O	I/O	I/O
114	NC	NC	I/O	I/O
115	I/O	I/O	I/O	I/O
116	I/O	I/O	I/O	I/O
117	I/O	I/O	I/O	I/O
118	NC	NC	I/O	I/O
119	I/O	I/O	I/O	I/O
120	I/O	I/O	I/O	I/O
121	I/O	I/O	I/O	I/O
122	NC	NC	I/O	I/O
123	I/O	I/O	I/O	I/O
124	I/O	I/O	I/O	I/O
125	NC	NC	I/O	I/O
126	TDO, I/O	TDO, I/O	TDO, I/O	TDO, I/O
127	NC	NC	I/O	I/O
128	GND	GND	GND	GND
129	I/O	I/O	I/O	I/O
130	I/O	I/O	I/O	I/O
131	I/O	I/O	I/O	I/O
132	I/O	I/O	I/O	I/O
133	I/O	I/O	I/O	I/O
134	I/O	I/O	I/O	I/O
135	I/O	I/O	I/O	I/O
136	I/O	I/O	I/O	I/O
137	I/O	I/O	I/O	I/O
138	NC	NC	I/O	I/O
139	NC	NC	I/O	I/O
140	NC	NC	I/O	I/O
141	V _{CCA}	V _{CCA}	V _{CCA}	V _{CCA}
142	I/O	I/O	I/O	I/O
143	I/O	I/O	I/O	I/O
144	I/O	I/O	I/O	I/O
145	I/O	I/O	I/O	I/O
146	I/O	I/O	I/O	I/O
147	I/O	I/O	I/O	I/O
148	I/O	I/O	I/O	I/O
149	I/O	I/O	I/O	I/O
150	I/O	I/O	I/O	I/O
151	I/O	I/O	I/O	I/O
152	I/O	I/O	I/O	I/O
153	I/O	I/O	I/O	I/O
154	I/O	I/O	I/O	I/O
155	NC	NC	I/O	I/O
156	NC	NC	I/O	I/O
157	NC	NC	I/O	I/O

Pin Number	A54SX16 Function	RT54SX16 Function	A54SX32 Function	RT54SX32 Function
158	GND	GND	GND	GND
159	V _{CCR}	V _{CCR}	V _{CCR}	V _{CCR}
160	GND	GND	GND	GND
161	V _{CCI}	V _{CCI}	V _{CCI}	V _{CCI}
162	I/O	I/O	I/O	I/O
163	I/O	I/O	I/O	I/O
164	I/O	I/O	I/O	I/O
165	I/O	I/O	I/O	I/O
166	I/O	I/O	I/O	I/O
167	I/O	I/O	I/O	I/O
168	I/O	I/O	I/O	I/O
169	I/O	I/O	I/O	I/O
170	I/O	I/O	I/O	I/O
171	I/O	I/O	I/O	I/O
172	I/O	I/O	I/O	I/O
173	I/O	I/O	I/O	I/O
174	V _{CCA}	V _{CCA}	V _{CCA}	V _{CCA}
175	GND	GND	GND	GND
176	GND	GND	GND	GND
177	I/O	I/O	I/O	I/O
178	NC	NC	I/O	I/O
179	I/O	I/O	I/O	I/O
180	I/O	I/O	I/O	I/O
181	NC	NC	I/O	I/O
182	I/O	I/O	I/O	I/O
183	I/O	I/O	I/O	I/O
184	NC	NC	I/O	I/O
185	I/O	I/O	I/O	I/O
186	I/O	I/O	I/O	I/O
187	NC	NC	I/O	I/O
188	I/O	I/O	I/O	I/O
189	GND	GND	GND	GND
190	I/O	I/O	I/O	I/O
191	NC	NC	I/O	I/O
192	NC	NC	I/O	I/O
193	I/O	I/O	I/O	I/O
194	I/O	I/O	I/O	I/O
195	NC	NC	I/O	I/O
196	I/O	I/O	I/O	I/O
197	I/O	I/O	I/O	I/O
198	I/O	I/O	I/O	I/O
199	I/O	I/O	I/O	I/O
200	NC	NC	I/O	I/O
201	I/O	I/O	I/O	I/O
202	I/O	I/O	I/O	I/O
203	I/O	I/O	I/O	I/O
204	NC	NC	I/O	I/O
205	I/O	I/O	I/O	I/O
206	I/O	I/O	I/O	I/O
207	I/O	I/O	I/O	I/O
208	NC	NC	I/O	I/O
209	I/O	I/O	I/O	I/O
210	I/O	I/O	I/O	I/O

Note:

1. Pin 34 in RT54SX16 and RT54SX32-CQ256 are TRST pins.

256-Pin CQFP

Pin Number	A54SX16 Function	RT54SX16 Function	A54SX32 Function	RT54SX32 Function
211	I/O	I/O	I/O	I/O
212	I/O	I/O	I/O	I/O
213	I/O	I/O	I/O	I/O
214	I/O	I/O	I/O	I/O
215	I/O	I/O	I/O	I/O
216	I/O	I/O	I/O	I/O
217	I/O	I/O	I/O	I/O
218	I/O	I/O	I/O	I/O
219	CLKA	CLKA	CLKA	CLKA
220	CLKB	CLKB	CLKB	CLKB
221	V _{CCI}	V _{CCI}	V _{CCI}	V _{CCI}
222	GND	GND	GND	GND
223	V _{CCR}	V _{CCR}	V _{CCR}	V _{CCR}
224	GND	GND	GND	GND
225	PRA, I/O	PRA, I/O	PRA, I/O	PRA, I/O
226	I/O	I/O	I/O	I/O
227	NC	NC	I/O	I/O
228	I/O	I/O	I/O	I/O
229	I/O	I/O	I/O	I/O
230	I/O	I/O	I/O	I/O
231	I/O	I/O	I/O	I/O
232	NC	NC	I/O	I/O
233	I/O	I/O	I/O	I/O

Pin Number	A54SX16 Function	RT54SX16 Function	A54SX32 Function	RT54SX32 Function
234	I/O	I/O	I/O	I/O
235	I/O	I/O	I/O	I/O
236	NC	NC	I/O	I/O
237	I/O	I/O	I/O	I/O
238	I/O	I/O	I/O	I/O
239	NC	NC	I/O	I/O
240	GND	GND	GND	GND
241	I/O	I/O	I/O	I/O
242	I/O	I/O	I/O	I/O
243	NC	NC	I/O	I/O
244	I/O	I/O	I/O	I/O
245	I/O	I/O	I/O	I/O
246	I/O	I/O	I/O	I/O
247	NC	NC	I/O	I/O
248	I/O	I/O	I/O	I/O
249	I/O	I/O	I/O	I/O
250	NC	NC	I/O	I/O
251	I/O	I/O	I/O	I/O
252	I/O	I/O	I/O	I/O
253	NC	NC	I/O	I/O
254	I/O	I/O	I/O	I/O
255	I/O	I/O	I/O	I/O
256	TCK, I/O	TCK, I/O	TCK, I/O	TCK, I/O

Note:

1. Pin 34 in RT54SX16 and RT54SX32-CQ256 are TRST pins.

List of Changes

The following table lists critical changes that were made in the current version of the document.

Previous version	Changes in current version (Preliminary v 1.5.1 (web-only))	Page
Preliminary v1.5	Power up and down sequencing information was modified: damage to the device is possible when 3.3V is powered up first and when 5.0V is powered down first.	13
	The last line of equation 2 was cut off in the previous version. It has been replaced in the existing version.	14
Preliminary v1.5.2	The User I/Os changed.	1, 2, 3
	The following sections are new or were updated: Clock Resources , Performance , I/O Modules , Power Requirements , Boundary Scan Testing (BST) , and Configuring Diagnostic Pins , TRST pin , Dedicated Test Mode , and Flexible Mode , Development Tool Support , RT54SX Probe Circuit Control Pins , and Design Considerations .	8-10
	The “ Pin Description ” on page 26 has been updated.	26
	Note that the “ Package Characteristics and Mechanical Drawings ” section has been eliminated from the data sheet. The mechanical drawings are now contained in a separate document, “ Package Characteristics and Mechanical Drawings ,” available on the Actel web site.	

Data Sheet Categories

In order to provide the latest information to designers, some data sheets are published before data has been fully characterized. These data sheets are marked as “Advanced” or Preliminary” data sheets. The definition of these categories are as follows:

Advanced

The data sheet contains initial estimated information based on simulation, other products, devices, or speed grades. This information can be used as estimates, but not for production.

Preliminary

The data sheet contains information based on simulation and/or initial characterization. The information is believed to be correct, but changes are possible.

Unmarked (production)

The data sheet contains information that is considered to be final.

Actel and the Actel logo are registered trademarks of Actel Corporation.
All other trademarks are the property of their owners.



<http://www.actel.com>

Actel Europe Ltd.
Maxfli Court, Riverside Way
Camberly, Surrey GU15 3YL
United Kingdom
Tel: +44 (0)1276 201450
Fax: +44 (0)1276 201490

Actel Corporation
955 East Arques Avenue
Sunnyvale, California 94086
USA
Tel: (408) 739-1010
Fax: (408) 739-1540

Actel Asia-Pacific
EXOS Ebisu Bldg. 4F
1-24-14 Ebisu Shibuya-ku
Tokyo 150 Japan
Tel: +81 03-3445-7671
Fax: +81 03-3445-7668